



**Art.-Nr: ZAW519CC-AZ**  
**Safety luminaire**  
**Wall, CoreCompact 24 (CC), CPS, , IP65, Zinc die-cast,**  
**Anthracite**

Robust, zinc die-cast wall surface-mounted luminaire for illuminating escape and emergency routes.

Particularly suited to illuminating escape and emergency routes at the exit and outside the building up to a safe zone. The radiating characteristics distribute the light parallel to the wall.

Control and monitoring via central 24 V low-power system.



More information

[www.rp-group.com/en/item/ZAW519CC-AZ](http://www.rp-group.com/en/item/ZAW519CC-AZ)



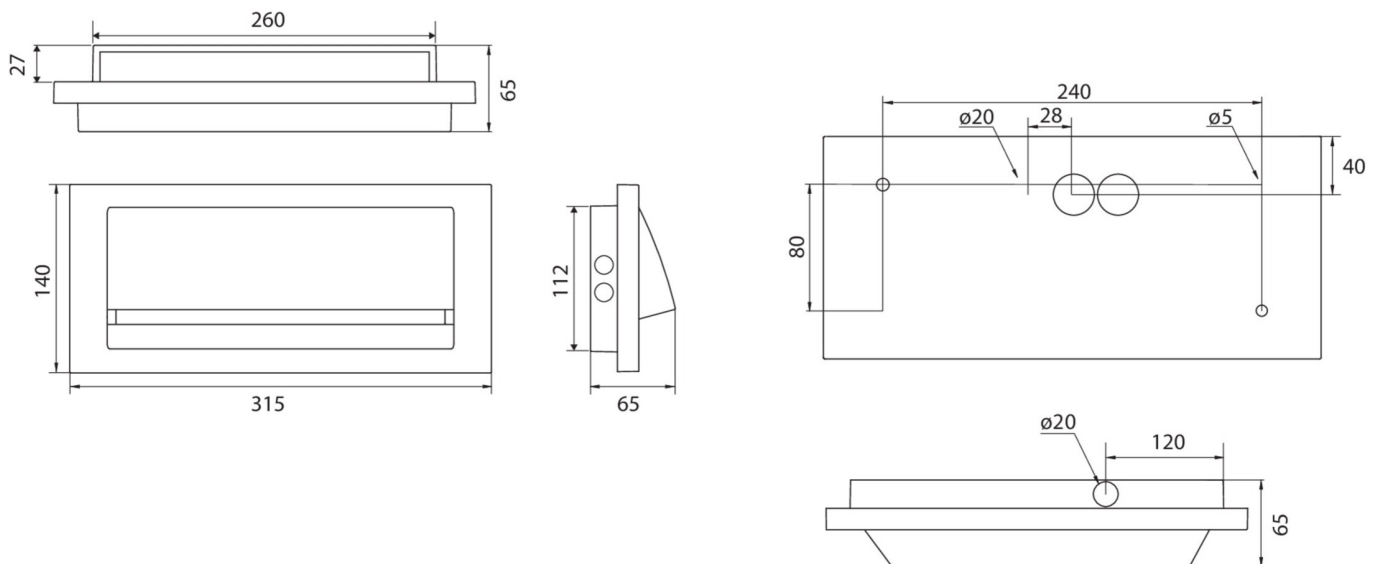
## TECHNICAL DATA

Luminaire type	Safety luminaire
Mounting	Wall
Pictograph	No
Illuminant	LED
Housing material	Zinc die-cast
Housing color	Anthracite
Protection type (IP)	IP65
Impact resistance (IK)	8
Certification	WEEE, CE, D-Sign
Insulation class	3
Monitoring	CoreCompact 24 (CC)
Bridging time	CPS
Battery	/
Power max.	2,1 W
Power DS	2,1 W
Power BS	0,4 W
Ambient temperature DS	-5 °C - 40 °C
Ambient temperature BS	-5 °C - 40 °C
Depth	65 mm



Width	315 mm
Height	140 mm
Weight	1.96
Weight incl. packaging	2.08
Luminous flux mains	220 lm
Luminous flux emergency	220 lm
Customs tariff number	94056180
EAN	4260682157683

## TECHNICAL DRAWING



As of: 23.08.2024 - Subject to technical changes and errors.