



**Art.-Nr: ZAW413WL-TT-AZ**  
**Safety luminaire Single Battery**  
**Wall, Wireless Professional (WL), 3 h, , IP65, Zinc die-cast,**  
**Anthracite**

Robust, zinc die-cast wall surface-mounted luminaire for illuminating escape and emergency routes near exits in accordance with DIN EN 60598-1, DIN EN 60598-2-22 and DIN EN 1838.

Concealed screw connection for an attractive design. Available as luminaire with a central battery system or LED single battery.

Wireless central control and monitoring for large installations of up to 50,000 luminaires with Wireless Professional.



More information

[www.rp-group.com/en/item/ZAW413WL-TT-AZ](http://www.rp-group.com/en/item/ZAW413WL-TT-AZ)



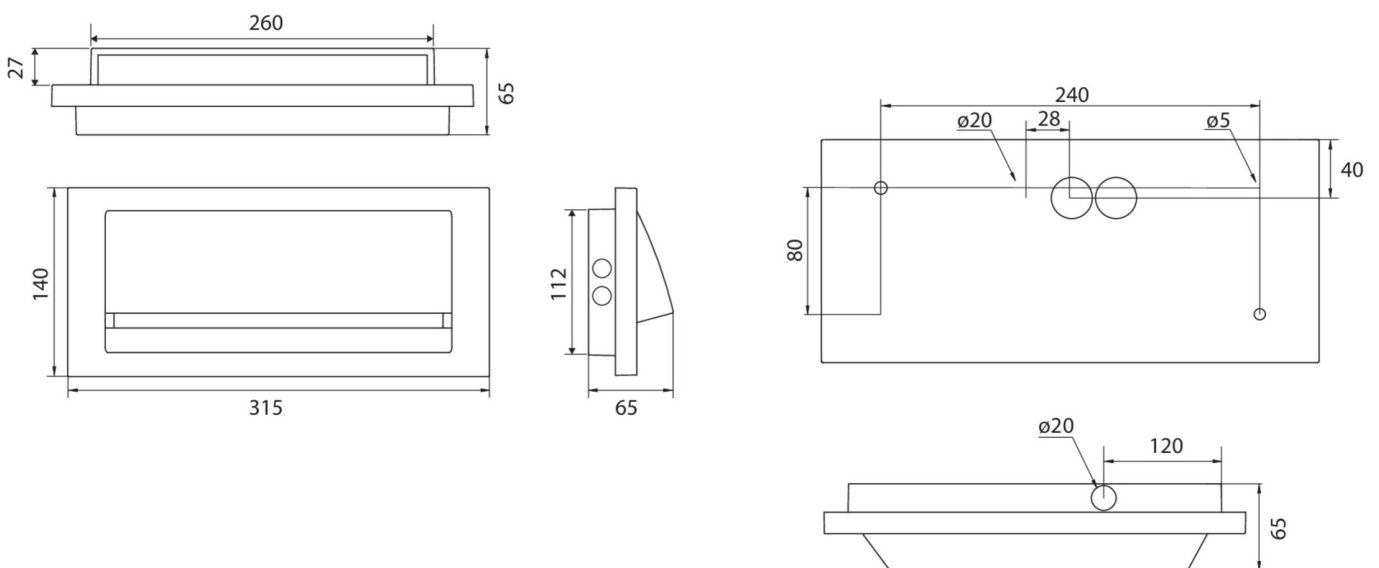
## TECHNICAL DATA

Luminaire type	Safety luminaire
Mounting	Wall
Pictograph	No
Illuminant	LED
Housing material	Zinc die-cast
Housing color	Anthracite
Protection type (IP)	IP65
Impact resistance (IK)	8
Certification	CE, WEEE
Insulation class	1
Supply	Single Battery
Monitoring	Wireless Professional (WL)
Bridging time	3 h
Battery	/
Operating mode	Standby circuit / permanent circuit
Input voltage AC	230 V
Input frequency	50 / 60 Hz
Input voltage DC	- V
Power max.	5,3 W



Power DS	3,9 W
Power BS	1,5 W
Ambient temperature DS	-25 °C - 40 °C
Ambient temperature BS	-25 °C - 40 °C
Depth	65 mm
Width	315 mm
Height	140 mm
Weight	2.02
Weight incl. packaging	2.14
Connection cross-section	2.5 mm <sup>2</sup>
Switching input	Yes
Emergency light blocking	No
Battery connection	Connector
Dimming function	No
Luminous flux mains	190 lm
Luminous flux emergency	190 lm
Customs tariff number	94056180
EAN	4260766557972

## TECHNICAL DRAWING



As of: 23.08.2024 - Subject to technical changes and errors.