



Art.-Nr: ZAW413WB-TT
Safety luminaire Single Battery
Wall, Wireless Basic (WB), 3 h, , IP65, Zinc die-cast, white

Robust, zinc die-cast wall surface-mounted luminaire for illuminating escape and emergency routes near exits in accordance with DIN EN 60598-1, DIN EN 60598-2-22 and DIN EN 1838.

Concealed screw connection for an attractive design. Available as luminaire with a central battery system or LED single battery.

Wireless control and monitoring for small installations of up to 50 luminaires with Wireless Basic.



More information

www.rp-group.com/en/item/ZAW413WB-TT



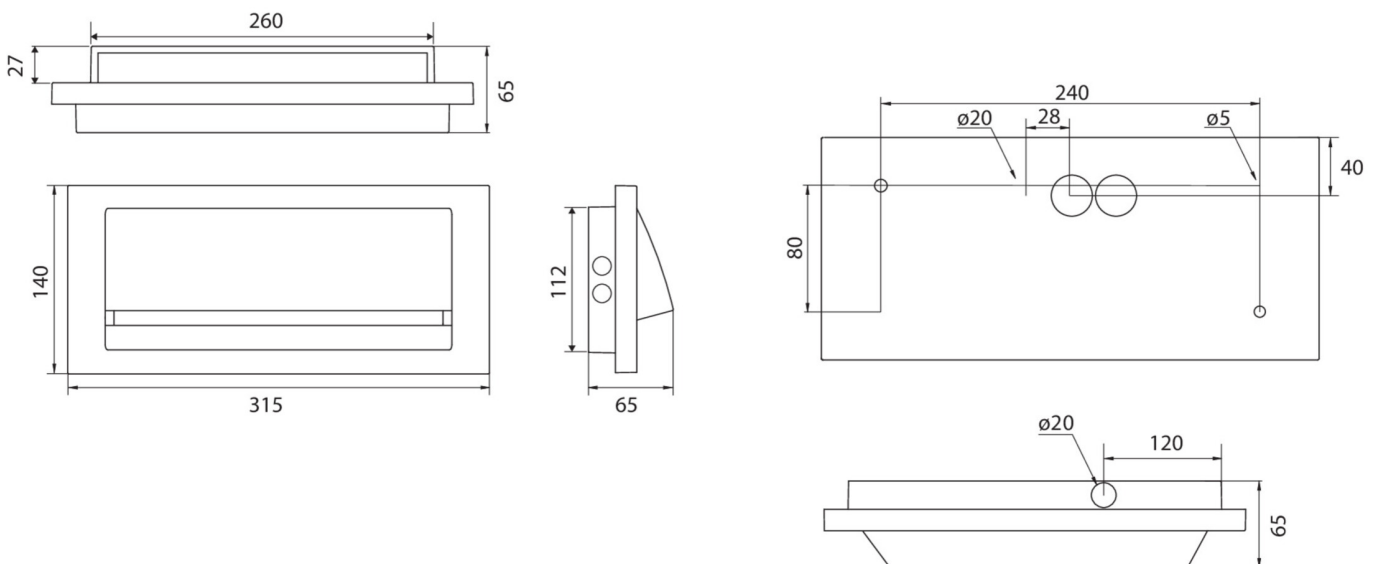
TECHNICAL DATA

Luminaire type	Safety luminaire
Mounting	Wall
Pictograph	No
Illuminant	LED
Housing material	Zinc die-cast
Housing color	white
Protection type (IP)	IP65
Impact resistance (IK)	8
Certification	CE, WEEE
Insulation class	1
Supply	Single Battery
Monitoring	Wireless Basic (WB)
Bridging time	3 h
Battery	/
Operating mode	Standby circuit / permanent circuit
Input voltage AC	230 V
Input frequency	50 / 60 Hz
Input voltage DC	- V
Power max.	5,3 W
Power DS	3,9 W



Power BS	1,5 W
Ambient temperature DS	-25 °C - 40 °C
Ambient temperature BS	-25 °C - 40 °C
Depth	315 mm
Width	65 mm
Height	140 mm
Weight	2.02
Weight incl. packaging	2.14
Connection cross-section	2.5 mm ²
Switching input	Yes
Emergency light blocking	No
Battery connection	Connector
Dimming function	No
Luminous flux mains	190 lm
Luminous flux emergency	190 lm
Customs tariff number	94056180
EAN	4260766558054

TECHNICAL DRAWING



As of: 23.08.2024 - Subject to technical changes and errors.