



Art.-Nr: ZAW411WB-TT
Safety luminaire Single Battery
Wall, Wireless Basic, 1 h, , IP65, Zinc die-cast, white

Robust wall-mounted Zinc die-cast luminaire for the lighting of escape and rescue routes in exit areas according to DIN EN 60598-1, DIN EN 60598-2-22 and EN 1838. Appealing design with concealed screws.

Available for central power systems or as a LED self-contained emergency luminaire.



[More information](#)



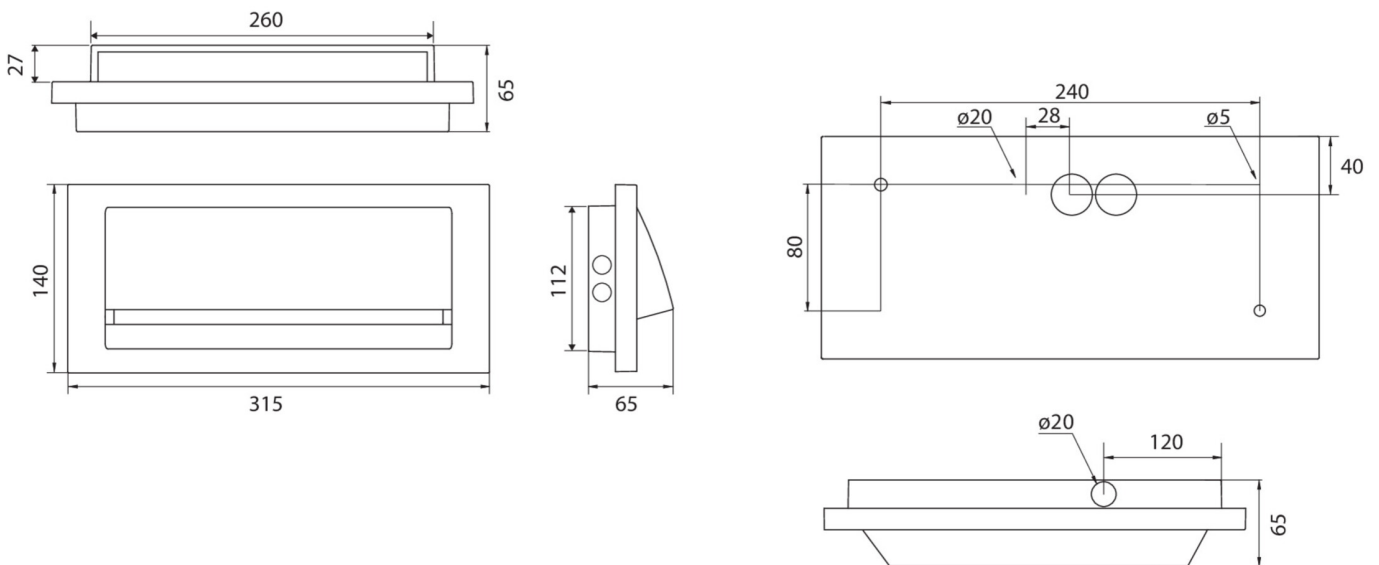
TECHNICAL DATA

Luminaire type	Safety luminaire
Mounting	Wall
Pictograph	No
Illuminant	LED
Housing material	Zinc die-cast
Housing color	white
Protection type (IP)	IP65
Impact resistance (IK)	8
Certification	CE, Waste disposal
Insulation class	1
Supply	Single Battery
Monitoring	Wireless Basic
Bridging time	1 h
Operating mode	Standby circuit / permanent circuit
Input voltage AC	230 V
Input frequency	50 / 60 Hz
Input voltage DC	- V
Power max.	5,3 W
Power DS	3,9 W
Power BS	1,5 W
Depth	315 mm
Width	65 mm



Height	140 mm
Weight	2.02
Weight incl. packaging	2.14
Connection cross-section	2.5 mm ²
Switching input	Yes
Emergency light blocking	No
Battery connection	Connector
Dimming function	No
Luminous flux mains	190 lm
Luminous flux emergency	190 lm
Country of origin	DEUTSCHLAND
EAN	4260766558047

TECHNICAL DRAWING



As of: 29.06.2024 - Subject to technical changes and errors.