



Art.-Nr: ZAW411SC-COOLIP54
Safety luminaire Single Battery
Wall mounting, SelfControl (SC), 1 h, , IP65, Zinc die-cast,
white

Robust, zinc die-cast wall surface-mounted luminaire for illuminating escape and emergency routes.

Particularly suited to illuminating escape and emergency routes at the exit and outside the building up to a safe zone. The radiating characteristics distribute the light parallel to the wall.

Automatic monitoring of safety luminaire with SelfControl.



More information

www.rp-group.com/en/item/ZAW411SC-COOLIP54



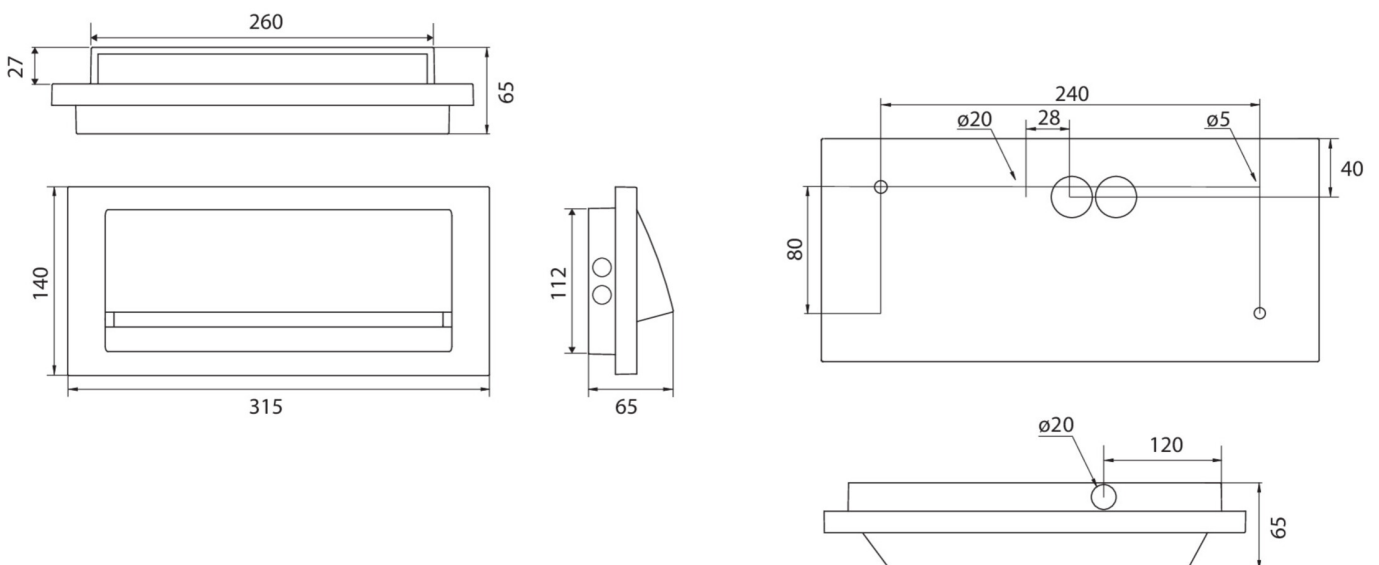
TECHNICAL DATA

Luminaire type	Safety luminaire
Mounting	Wall mounting
Pictograph	No
Illuminant	LED
Housing material	Zinc die-cast
Housing color	white
Protection type (IP)	IP65
Impact resistance (IK)	8
Certification	WEEE, CE, 5 earys warranty
Insulation class	1
Supply	Single Battery
Monitoring	SelfControl (SC)
Bridging time	1 h
Battery	LiFePO4 3,2 V/3,3 Ah
Operating mode	Standby circuit / permanent circuit
Input voltageAC	230 V
Input frequency	50 / 60 Hz
Input voltage DC	- V



Power max.	4,6 W
Power DS	3,3 W
Power BS	1 W
Ambient temperature DS	-5 °C to 35 °C
Ambient temperature BS	-5 °C to 40 °C
Depth	315 mm
Width	65 mm
Height	140 mm
Weight	2.1
Weight incl. packaging	2.22
Connection cross-section	2.5 mm ²
Switching input	Yes
Emergency light blocking	No
Battery connection	Connector
Dimming function	No
Luminous flux mains	190 lm
Luminous flux emergency	190 lm
Customs tariff number	94056180
EAN	4262483024836

TECHNICAL DRAWING



As of: 20.01.2025 - Subject to technical changes and errors.