



Art.-Nr: ZAW011SC-COOL
Safety luminaire Single Battery
Wall, SelfControl (SC), 1 h, , IP65, Zinc die-cast, white

Robust, zinc die-cast wall surface-mounted luminaire for illuminating escape and emergency routes.

Particularly suited to illuminating escape and emergency routes at the exit and outside the building up to a safe zone. The radiating characteristics distribute the light parallel to the wall.

Automatic monitoring of safety luminaire with SelfControl.



More information

www.rp-group.com/en/item/ZAW011SC-COOL



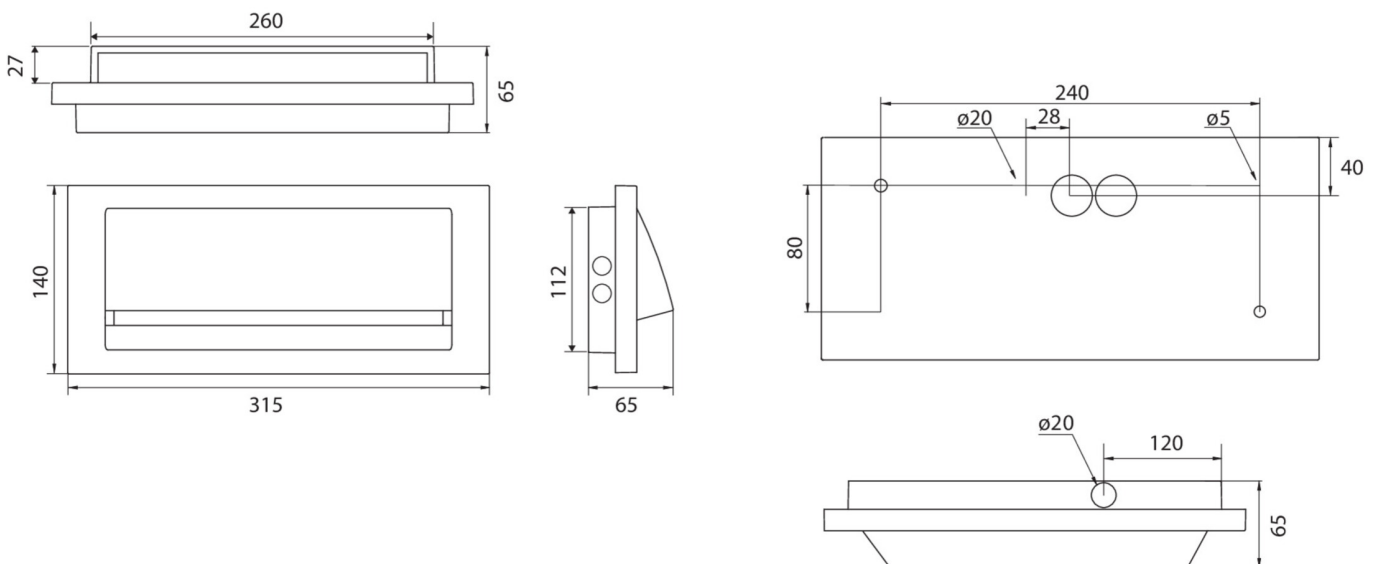
TECHNICAL DATA

| | |
|------------------------|-------------------------------------|
| Luminaire type | Safety luminaire |
| Mounting | Wall |
| Pictograph | No |
| Illuminant | LED |
| Housing material | Zinc die-cast |
| Housing color | white |
| Protection type (IP) | IP65 |
| Impact resistance (IK) | 8 |
| Certification | WEEE, CE |
| Insulation class | 1 |
| Supply | Single Battery |
| Monitoring | SelfControl (SC) |
| Bridging time | 1 h |
| Battery | 3,2V V 3,3Ah Ah/ |
| Operating mode | Standby circuit / permanent circuit |
| Input voltage AC | 230 V |
| Input frequency | 50 / 60 Hz |
| Input voltage DC | - V |
| Power max. | 4,6 W |
| Power DS | 3,3 W |



| | |
|--------------------------|---------------------|
| Power BS | 1 W |
| Ambient temperature DS | -25 °C - 40 °C |
| Ambient temperature BS | -25 °C - 40 °C |
| Depth | 315 mm |
| Width | 65 mm |
| Height | 140 mm |
| Weight | 2.1 |
| Weight incl. packaging | 2.22 |
| Connection cross-section | 2.5 mm ² |
| Switching input | Yes |
| Emergency light blocking | No |
| Battery connection | Connector |
| Dimming function | No |
| Luminous flux mains | 190 lm |
| Luminous flux emergency | 190 lm |
| Customs tariff number | 94056180 |
| EAN | 4260682145024 |

TECHNICAL DRAWING



As of: 23.08.2024 - Subject to technical changes and errors.