



Art.-Nr: XPMU009
Safety luminaire Centralised power supply systems
Universal, Without monitoring, CPS, , IP66, Aluminum die-
cast, Polycarbonate, Housing color

Polycarbonate cylinder safety luminaire with explosion protection for gas and dust Ex zones.

Prepared for two cable entries for feed-through wiring. By attaching a pictogram, can also be used as an emergency exit sign luminaire.

By means of mounting adapter for wall/ceiling mounting or suspension by means of eye bolt.

Labelling according to 2014/34/EC (ATEX)

Zone 1 / zone 21 gas and dust

- Ex d IIB T6 Gb / Ex d IIB T6 Gb
- Ex t IIIC T85°C Db

Manufactured in accordance with

-EN 60079-0:2018, EN 60079-1:2014, EN 60079-31:2014

-Certified by INERIS 20ATEX0005X



More information

www.rp-group.com/en/item/XPMU009



TECHNICAL DATA

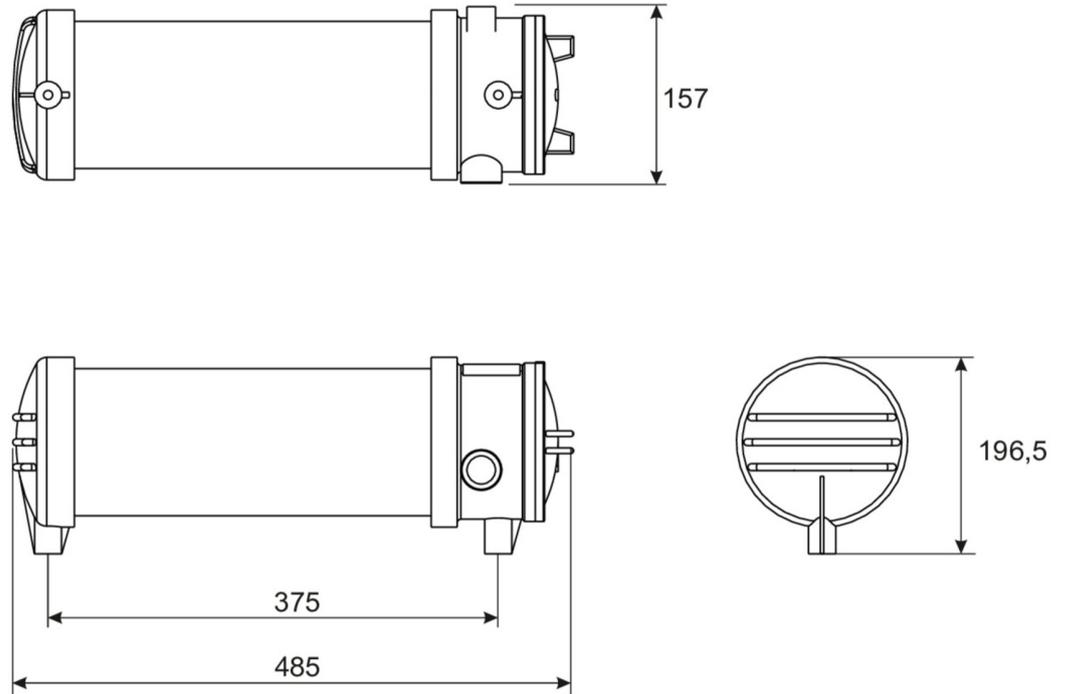
Luminaire type	Safety luminaire
Mounting	Universal
Pictograph	No
Illuminant	LED
Housing material	Aluminum die-cast, Polycarbonate
Protection type (IP)	IP66
Impact resistance (IK)	5
Certification	WEEE, CE
Insulation class	1
Supply	Centralised power supply systems
Monitoring	Without monitoring
Bridging time	CPS
Battery	/



Operating mode	Permanent circuit
Input voltageAC	230 V
Input frequency	50 / 60 Hz
Power max.	20 W
Power DS	20 W
Ambient temperature DS	-20 °C - 40 °C
Ambient temperature BS	-20 °C - 40 °C
Depth	750 mm
Width	157 mm
Height	197 mm
Weight	5.5
Weight incl. packaging	6.4
Connection cross-section	2.5 mm ²
Switching input	No
Emergency light blocking	No
Battery connection	No
Dimming function	No
Luminous flux mains	2400 lm
Luminous flux emergency	2400 lm
Customs tariff number	94051190
EAN	4260659564575



TECHNICAL DRAWING



ACCESSORY LIST

- X-K0001 -
- X-MB001 -
- X-KE001 -
- X4N -

As of: 23.08.2024 - Subject to technical changes and errors.