



**Art.-Nr: XPIU001SC-BS**  
**Safety luminaire Single Battery**  
**Universal, SelfControl (SC), 1 h, , IP66, Aluminum die-cast,**  
**Polycarbonate, Housing color**

Polycarbonate cylinder safety luminaire with explosion protection for gas and dust Ex zones.

Prepared for two cable entries for feed-through wiring. By attaching a pictogram, can also be used as an emergency exit sign luminaire.

By means of mounting adapter for wall/ceiling mounting or suspension by means of eye bolt.

Labelling according to 2014/34/EC (ATEX)

Zone 1 / zone 21 gas and dust

- Ex d IIB T6 Gb / Ex d IIB T6 Gb
- Ex t IIIC T85°C Db

Manufactured in accordance with

-EN 60079-0:2018, EN 60079-1:2014, EN 60079-31:2014

-Certified by INERIS 20ATEX0005X

Automatic monitoring of safety luminaire with SelfControl.



More information

[www.rp-group.com/en/item/XPIU001SC-BS](http://www.rp-group.com/en/item/XPIU001SC-BS)



## TECHNICAL DATA

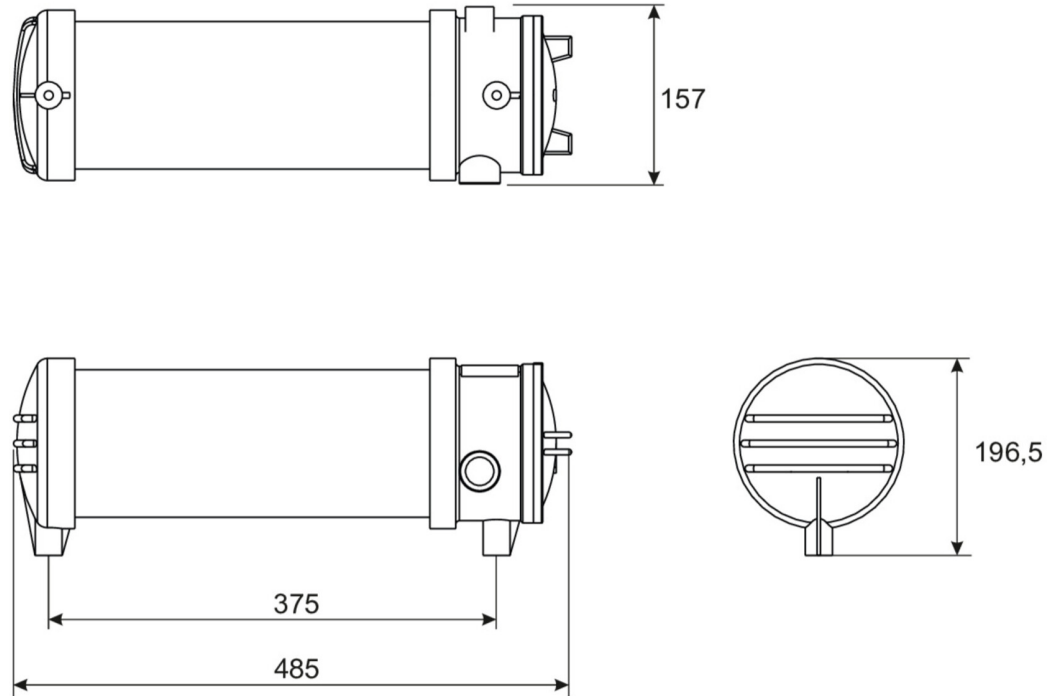
Luminaire type	Safety luminaire
Mounting	Universal
Pictograph	No
Illuminant	LED
Housing material	Aluminum die-cast, Polycarbonate
Protection type (IP)	IP66
Impact resistance (IK)	5
Certification	WEEE, CE
Insulation class	1
Supply	Single Battery
Monitoring	SelfControl (SC)
Bridging time	1 h



Battery	3,6 V 1,6Ah Ah/
Operating mode	Standby circuit
Input voltageAC	230 V
Input frequency	50 / 60 Hz
Power max.	5,8 W
Power BS	3 W
Ambient temperature DS	0 °C - 55 °C
Ambient temperature BS	0 °C - 55 °C
Depth	485 mm
Width	157 mm
Height	197 mm
Weight	4.28
Weight incl. packaging	4.78
Connection cross-section	2.5 mm <sup>2</sup>
Switching input	No
Emergency light blocking	Yes
Battery connection	Clip
Dimming function	No
Luminous flux mains	0 lm
Luminous flux emergency	350 lm
Customs tariff number	9405491000
EAN	4260659564469



## TECHNICAL DRAWING



## ACCESSORY LIST

- X-KE001 -
- X-MB001 -
- X-KO001 -
- X4N -

As of: 23.08.2024 - Subject to technical changes and errors.