



**Art.-Nr: XGMU019**  
**Safety luminaire Centralised power supply systems**  
**Universal, Without monitoring, CPS, , IP66, Aluminum die-**  
**cast, Glass, Housing color**



Glass cylinder safety luminaire with explosion protection for gas and dust Ex zones.

Prepared for two cable entries for feed-through wiring. By attaching a pictogram, can also be used as an emergency exit sign luminaire.

By means of mounting adapter for wall/ceiling mounting or suspension by means of eye bolt.

Labelling according to 2014/34/EC (ATEX)

Zone 1 / zone 21 gas and dust

- Ex d IIB T6 Gb / Ex d IIB T6 Gb
- Ex t IIIC T85°C Db

Manufactured in accordance with

-EN 60079-0:2018, EN 60079-1:2014, EN 60079-31:2014

-Certified by INERIS 20ATEX0005X



More information

[www.rp-group.com/en/item/XGMU019](http://www.rp-group.com/en/item/XGMU019)



## TECHNICAL DATA

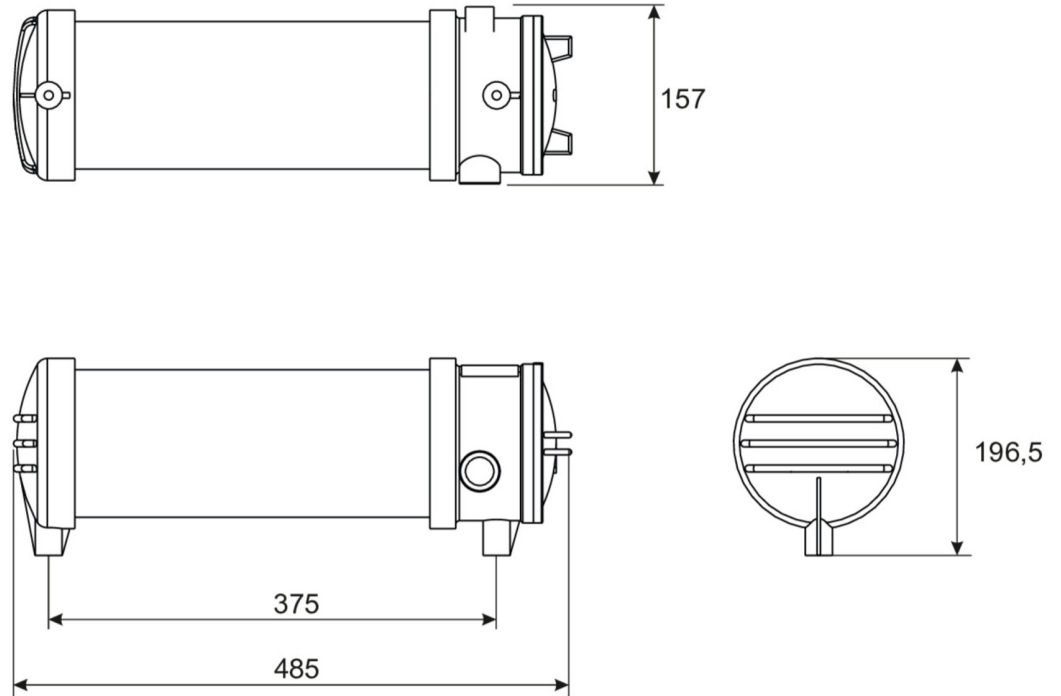
Luminaire type	Safety luminaire
Mounting	Universal
Pictograph	No
Illuminant	LED
Housing material	Aluminum die-cast, Glass
Protection type (IP)	IP66
Impact resistance (IK)	7
Certification	WEEE, CE
Insulation class	1
Supply	Centralised power supply systems
Monitoring	Without monitoring
Bridging time	CPS
Battery	/



Operating mode	Permanent circuit
Input voltageAC	230 V
Input frequency	50 / 60 Hz
Power max.	40 W
Power DS	40 W
Ambient temperature DS	-20 °C - 55 °C
Ambient temperature BS	-20 °C - 55 °C
Depth	750 mm
Width	157 mm
Height	197 mm
Weight	5.5
Weight incl. packaging	6.4
Connection cross-section	2.5 mm <sup>2</sup>
Switching input	No
Emergency light blocking	No
Battery connection	No
Dimming function	No
Luminous flux mains	4600 lm
Luminous flux emergency	4600 lm
Customs tariff number	94051190
EAN	4260659564407



## TECHNICAL DRAWING



## ACCESSORY LIST

- X-K0001 -
- X-MB001 -
- X-KE001 -
- X4N -

As of: 23.08.2024 - Subject to technical changes and errors.