



Art.-Nr: XGMU011SC
Safety luminaire Single Battery
Universal, SelfControl (SC), 1 h, , IP66, Aluminum die-cast,
Glass, Housing color



Glass cylinder safety luminaire with explosion protection for gas and dust Ex zones.

Prepared for two cable entries for feed-through wiring. By attaching a pictogram, can also be used as an emergency exit sign luminaire.

By means of mounting adapter for wall/ceiling mounting or suspension by means of eye bolt.

Labelling according to 2014/34/EC (ATEX)

Zone 1 / zone 21 gas and dust

- Ex d IIB T6 Gb / Ex d IIB T6 Gb
- Ex t IIIC T85°C Db

Manufactured in accordance with

-EN 60079-0:2018, EN 60079-1:2014, EN 60079-31:2014

-Certified by INERIS 20ATEX0005X

Automatic monitoring of safety luminaire with SelfControl.



More information

www.rp-group.com/en/item/XGMU011SC



TECHNICAL DATA

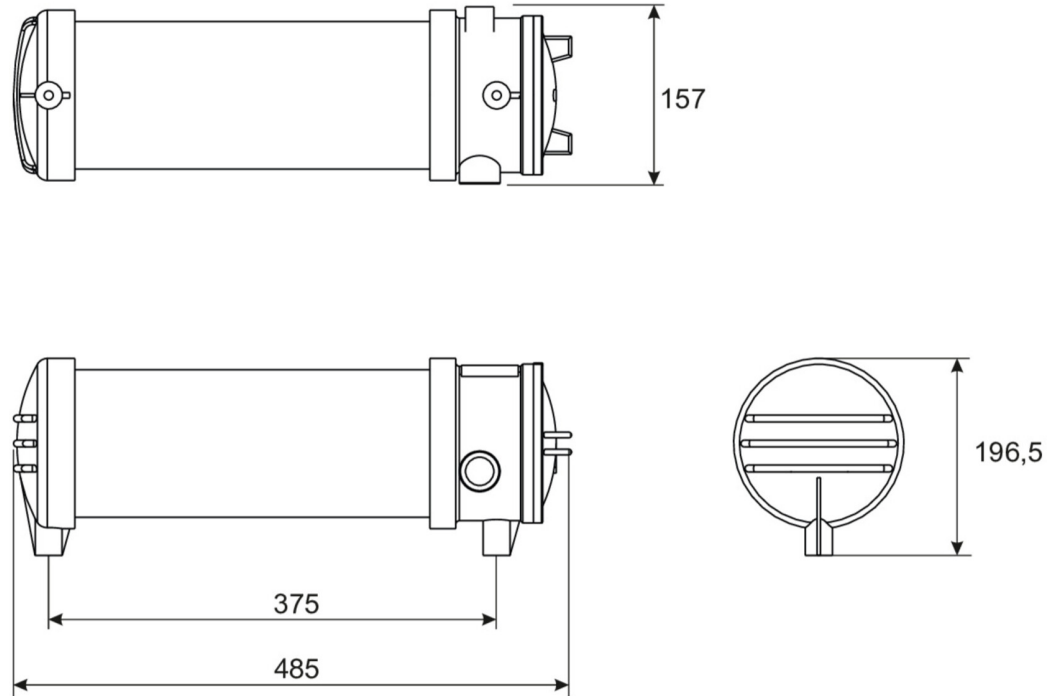
Luminaire type	Safety luminaire
Mounting	Universal
Pictograph	No
Illuminant	LED
Housing material	Aluminum die-cast, Glass
Protection type (IP)	IP66
Impact resistance (IK)	7
Certification	WEEE, CE
Insulation class	1
Supply	Single Battery
Monitoring	SelfControl (SC)
Bridging time	1 h



Battery	6 V 1,6Ah Ah/
Operating mode	Standby circuit / permanent circuit
Input voltageAC	230 V
Input frequency	50 / 60 Hz
Power max.	40 W
Power DS	40 W
Power BS	3 W
Ambient temperature DS	0 °C - 55 °C
Ambient temperature BS	0 °C - 55 °C
Depth	750 mm
Width	157 mm
Height	197 mm
Weight	5.5
Weight incl. packaging	6.4
Connection cross-section	2.5 mm ²
Switching input	No
Emergency light blocking	Yes
Battery connection	Clip
Dimming function	No
Luminous flux mains	4600 lm
Luminous flux emergency	750 lm
Customs tariff number	94051190
EAN	4260659564377



TECHNICAL DRAWING



ACCESSORY LIST

- X-K0001 -
- X-MB001 -
- X-KE001 -
- X4N -

As of: 23.08.2024 - Subject to technical changes and errors.