

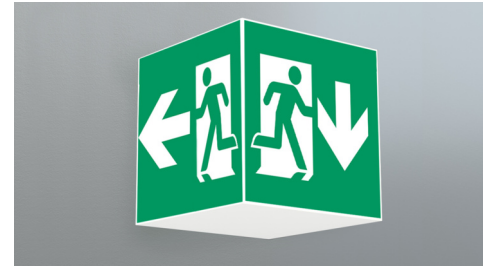


Art.-Nr: WXW029ML

Square emergency exit sign cube luminaire for wall mounting for illuminating escape and emergency routes.

The cube shape means that this plastic luminaire is easily recognisable from three sides. Ideal for large-scale applications, e.g. in large stores.

Control and monitoring via central power supply system. Planning certainty is provided by printed pictograms, determined on the basis of logic. The pictograms used correspond to DIN ISO 7010 (arrow to the right, left and down).



More information

www.rp-group.com/en/item/WXW029ML



TECHNICAL DATA

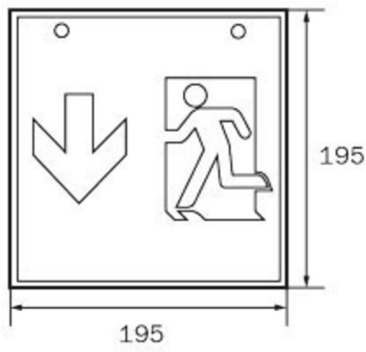
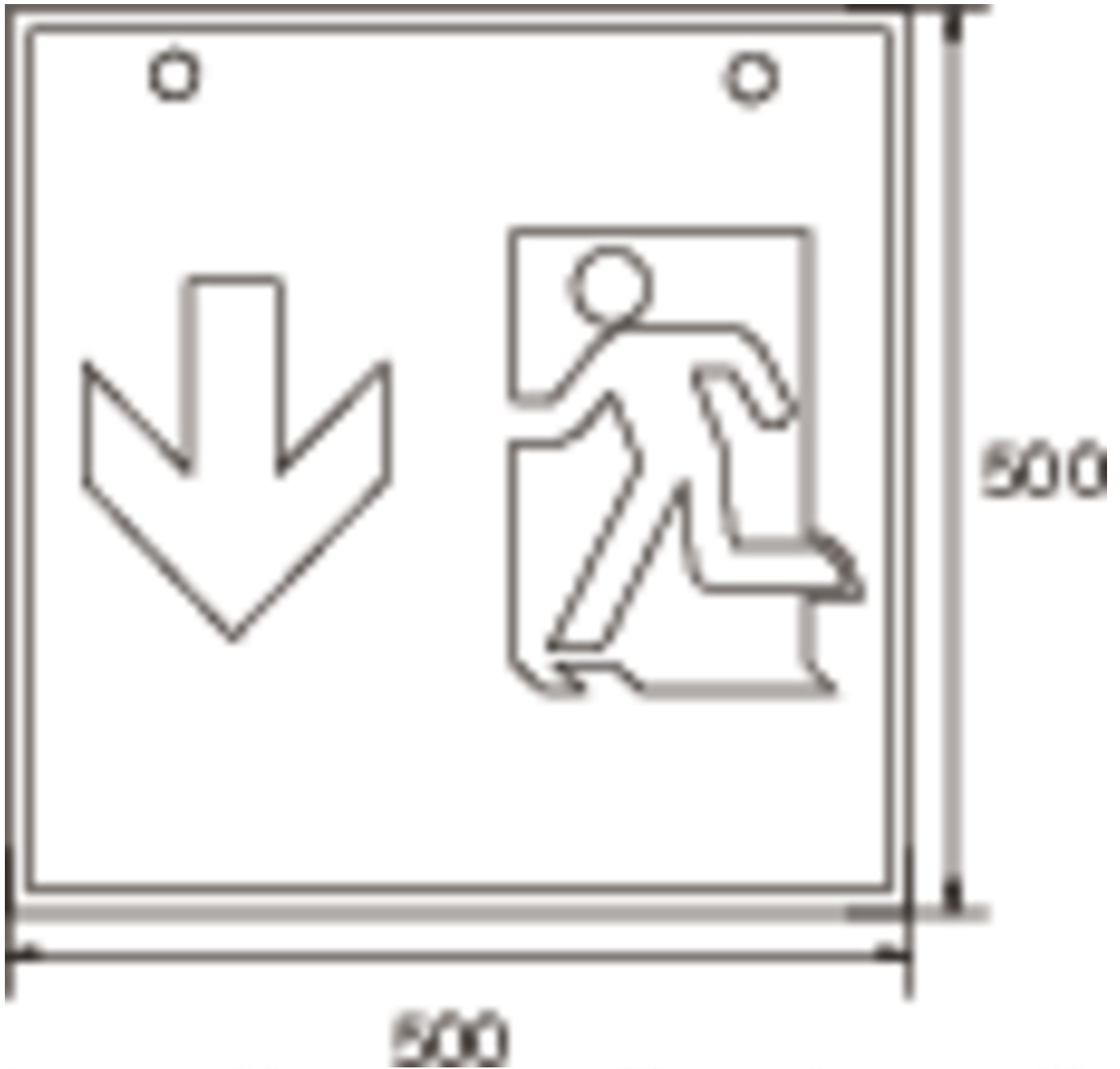
Luminaire type	Exit sign
Mounting	Wall
Recognition distance	90 m
Pictograph	Set
Illuminant	LED
Housing material	Metal
Housing color	white
Protection type (IP)	IP20
Impact resistance (IK)	≥ 3
Certification	WEEE, CE
Insulation class	1
Supply	Centralised power supply systems
Monitoring	Central power supply (ML)
Bridging time	CPS
Battery	/
Operating mode	single luminaire switching
Input voltage AC	230 V
Input frequency	50 / 60 Hz
Input voltage DC	216 V
Power max.	5,4 W



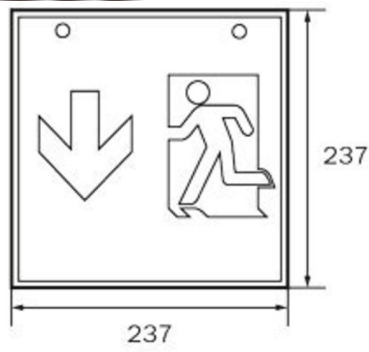
Power DS	5,4 W
Power BS	1,1 W
Depth	500 mm
Width	500 mm
Height	500 mm
Weight	6.49
Weight incl. packaging	6.63
Connection cross-section	2.5 mm ²
Switching input	Yes
Emergency light blocking	No
Battery connection	No
Dimming function	Yes
Luminous flux mains	470 lm
Luminous flux emergency	470 lm
Customs tariff number	94056120
EAN	4260766550645



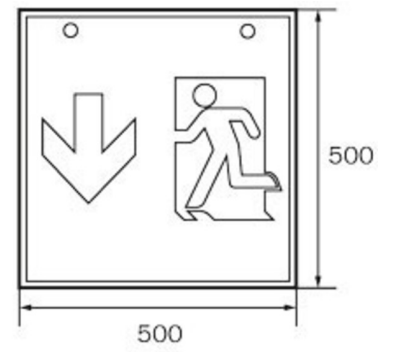
TECHNICAL DRAWING



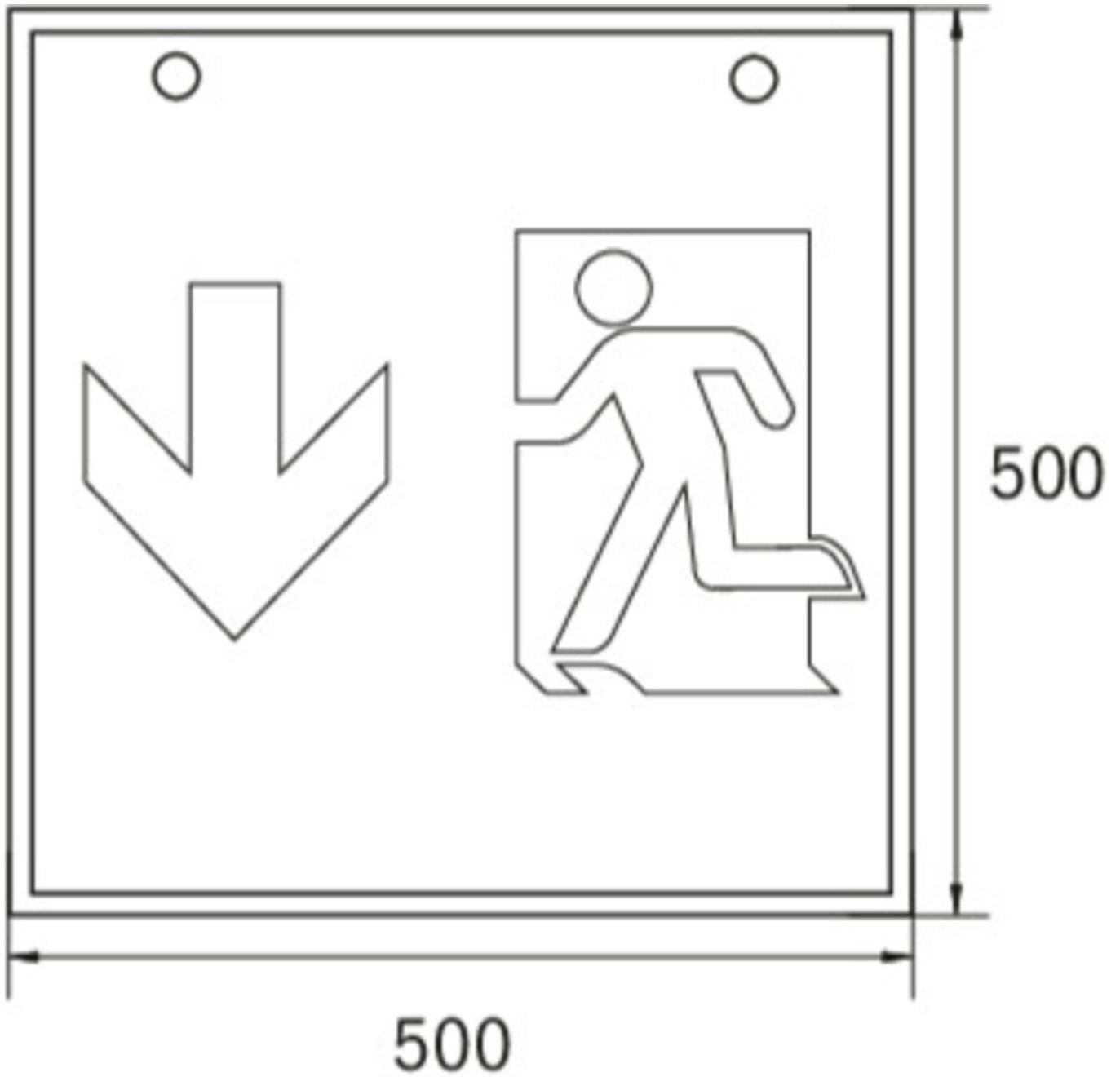
WG



WK



WX



ACCESSORY LIST

WKO -

As of: 23.08.2024 - Subject to technical changes and errors.