

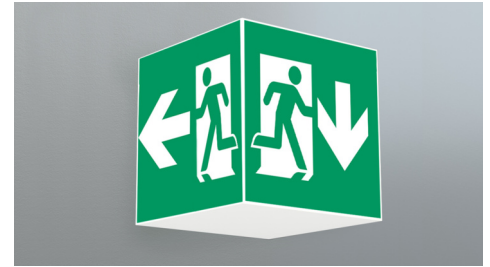


Art.-Nr: WXD411SC
Exit sign Supply
Ceiling, SelfControl (SC), 1 h, 90 m, IP20, Metal, white

Square emergency exit sign cube luminaire for identifying escape and emergency routes. It can be mounted straight onto the ceiling or suspended using the appropriate accessories.

The cube shape means that this plastic luminaire is easily recognisable from four sides. Ideal for use where routes intersect, e.g. in large stores with aisles.

Automatic monitoring of safety luminaire with SelfControl. Planning certainty is provided by printed pictograms, determined on the basis of logic. The pictograms used correspond to DIN ISO 7010 (arrow to the right, left and down).



More information

www.rp-group.com/en/item/WXD411SC



TECHNICAL DATA

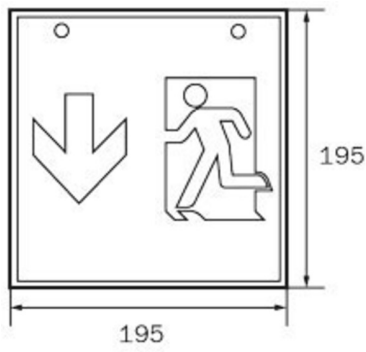
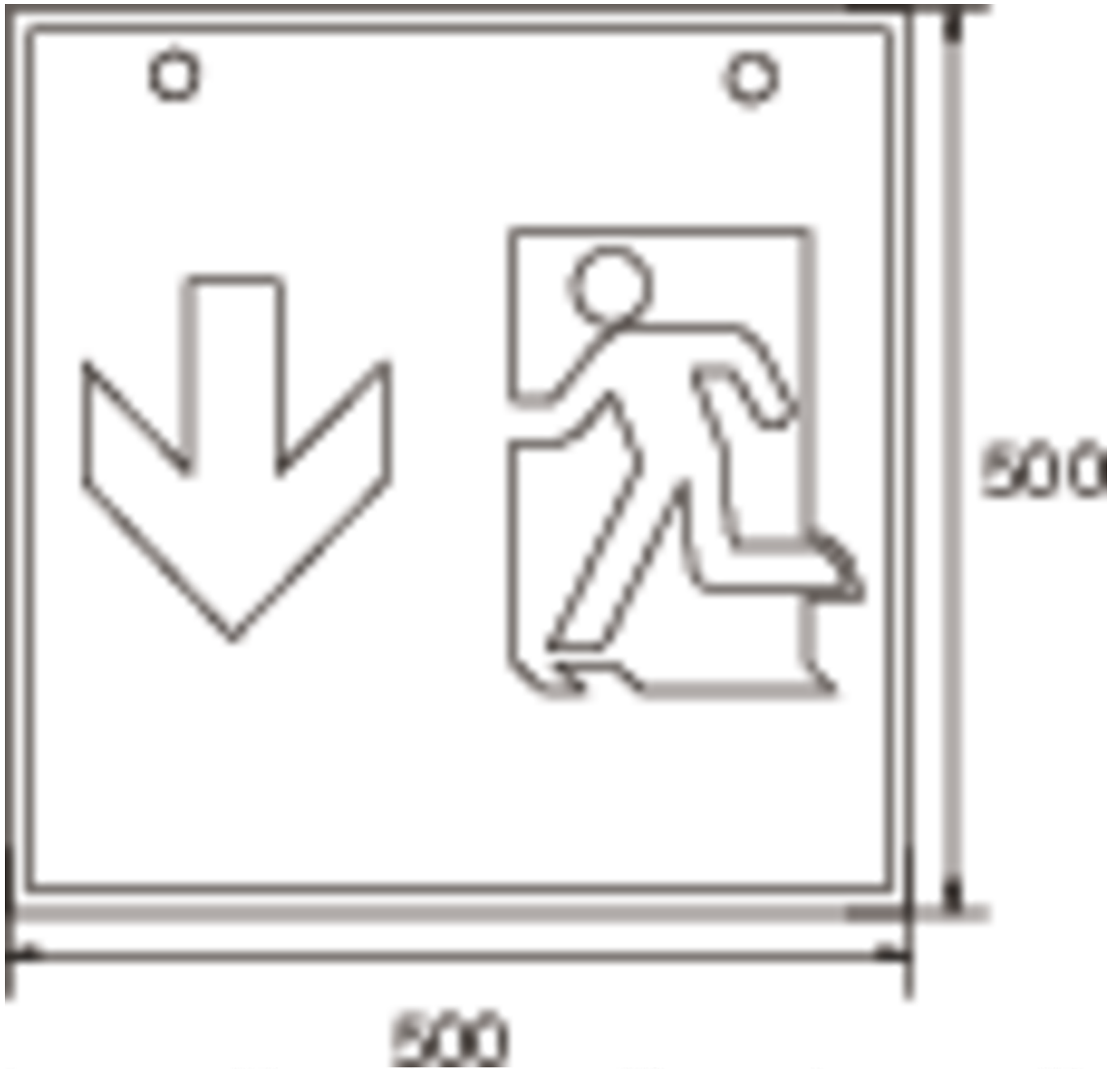
Luminaire type	Exit sign
Mounting	Ceiling
Recognition distance	90 m
Pictograph	Set
Illuminant	LED
Housing material	Metal
Housing color	white
Protection type (IP)	IP20
Impact resistance (IK)	≥ 3
Certification	WEEE, CE
Insulation class	1
Monitoring	SelfControl (SC)
Bridging time	1 h
Battery	6,4 V 1,6Ah Ah/
Power max.	6,4 W
Power DS	5,6 W
Power BS	0,9 W
Ambient temperature DS	-5 °C - 40 °C
Ambient temperature BS	-5 °C - 40 °C



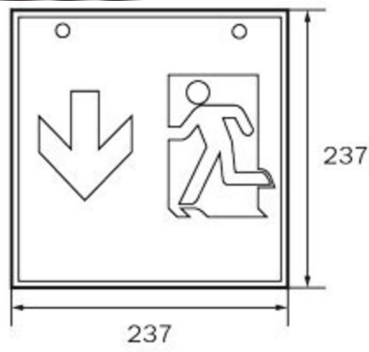
Depth	500 mm
Width	500 mm
Height	500 mm
Weight	6.59
Weight incl. packaging	6.73
Customs tariff number	94056120
EAN	4260766556913



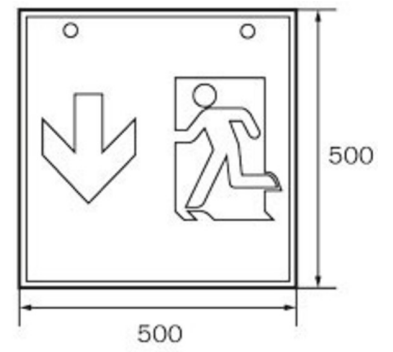
TECHNICAL DRAWING



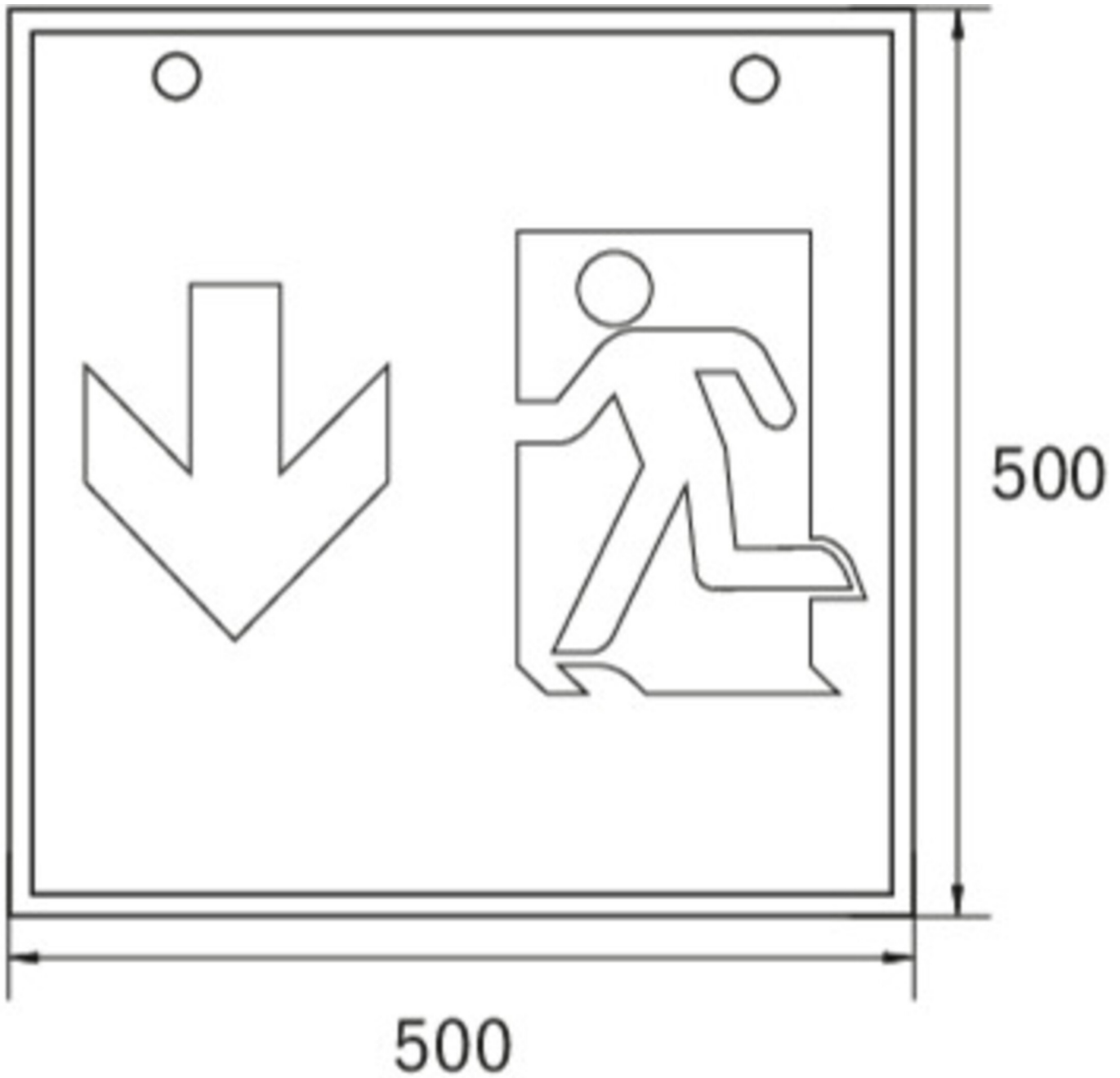
WG



WK



WX



ACCESSORY LIST

LFP3216-SET-2AKKU - CS_VALUE_BatteryTechnology. Battery

As of: 23.08.2024 - Subject to technical changes and errors.