



Art.-Nr: WXD029
Exit sign Centralised power supply systems
Ceiling, Without monitoring, CPS, 90 m, IP20, Metal, white

Square emergency exit sign cube luminaire for identifying escape and emergency routes. It can be mounted straight onto the ceiling or suspended using the appropriate accessories.

The cube shape means that this plastic luminaire is easily recognisable from four sides. Ideal for use where routes intersect, e.g. in large stores with aisles.

Planning certainty is provided by printed pictograms, determined on the basis of logic. The pictograms used correspond to DIN ISO 7010 (arrow to the right, left and down).



More information
www.rp-group.com/en/item/WXD029



TECHNICAL DATA

Luminaire type	Exit sign
Mounting	Ceiling
Recognition distance	90 m
Pictograph	Set
Illuminant	LED
Housing material	Metal
Housing color	white
Protection type (IP)	IP20
Impact resistance (IK)	≥ 3
Certification	WEEE, CE
Insulation class	1
Supply	Centralised power supply systems
Monitoring	Without monitoring
Bridging time	CPS
Battery	/
Operating mode	Permanent circuit
Input voltage AC	230 V
Input frequency	50 / 60 Hz
Input voltage DC	100-254 V



Power max.	3,9 W
Power DS	3,9 W
Power BS	0 W
Ambient temperature DS	-25 °C - 40 °C
Ambient temperature BS	-25 °C - 40 °C
Depth	500 mm
Width	500 mm
Height	500 mm
Weight	6.47
Weight incl. packaging	6.61
Connection cross-section	1.5 mm ²
Switching input	No
Emergency light blocking	No
Battery connection	No
Dimming function	No
Luminous flux mains	300 lm
Luminous flux emergency	300 lm
Customs tariff number	94056120
EAN	4260581710002



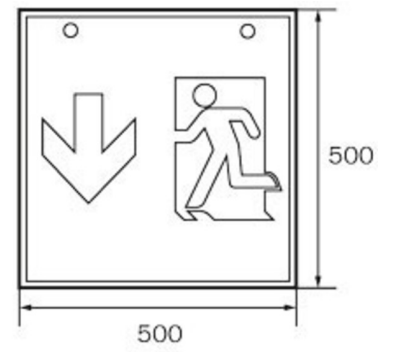
TECHNICAL DRAWING



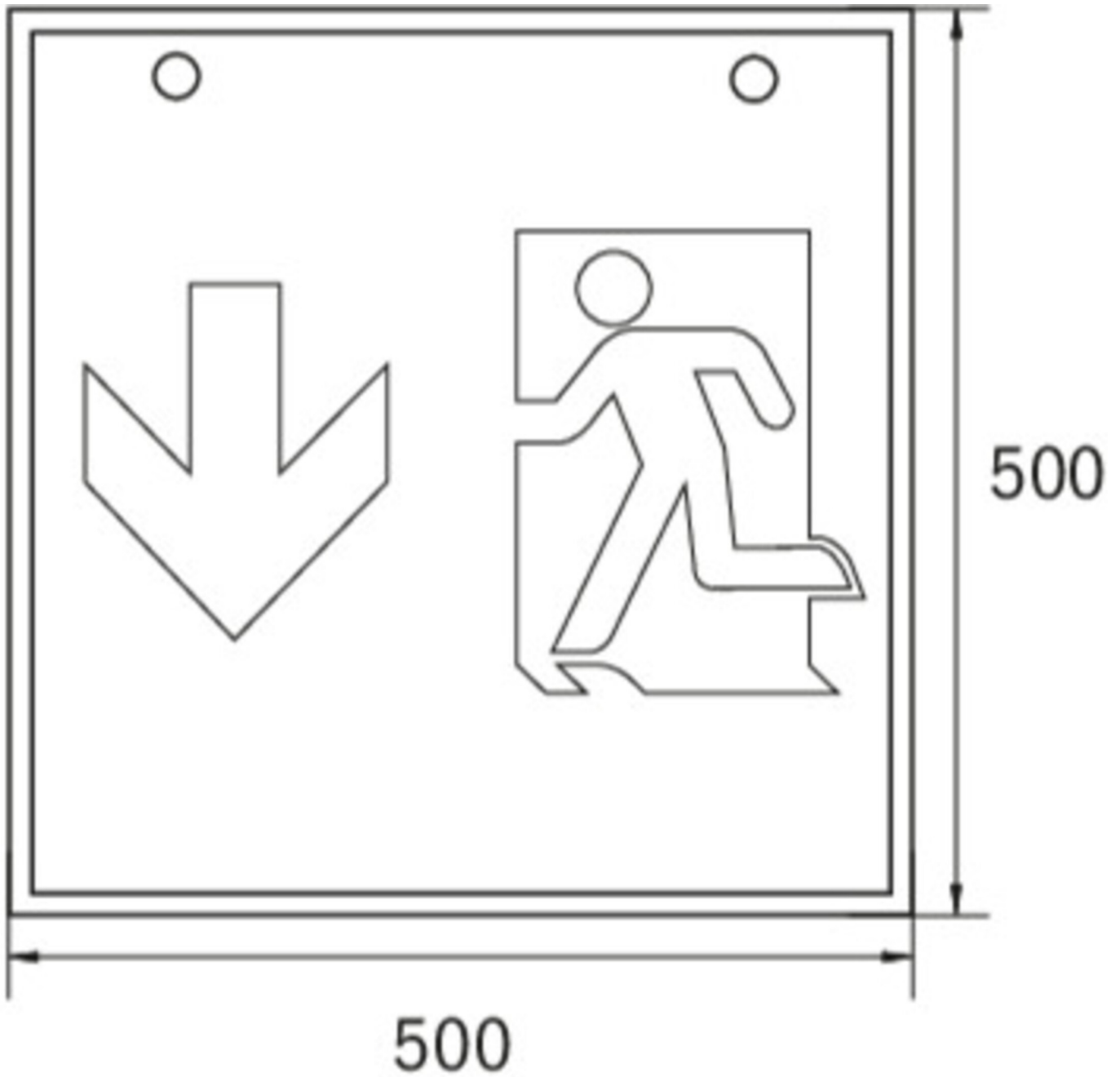
WG



WK



WX



ACCESSORY LIST

WKO -
1PV-EB -

As of: 23.08.2024 - Subject to technical changes and errors.