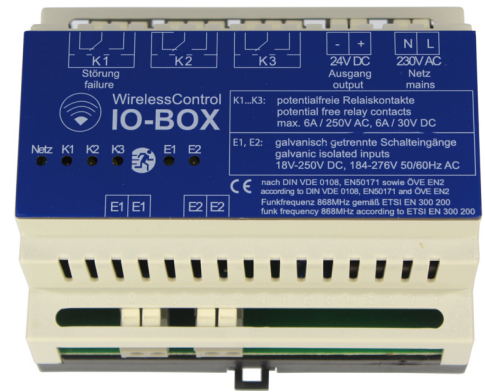




## Art.-Nr: WLI032

The IO-box is an interface module of the automatic test and control system for emergency lighting Wireless Professional, whose inputs and outputs signalise states and conditions of and to the test and control system. The IO-box has 3 outputs in form of potential-free changeover contacts, of which contact 1 is used for a system disturbance combined fault indication. The other two contacts can be programmed by means of the Wireless Professional software, in order to signalise various system states.

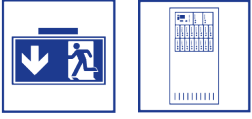
Furthermore, there are 2 galvanically isolated switch inputs to integrate control and/or sensor signals of e.g. an external test pushbutton or a key switch.



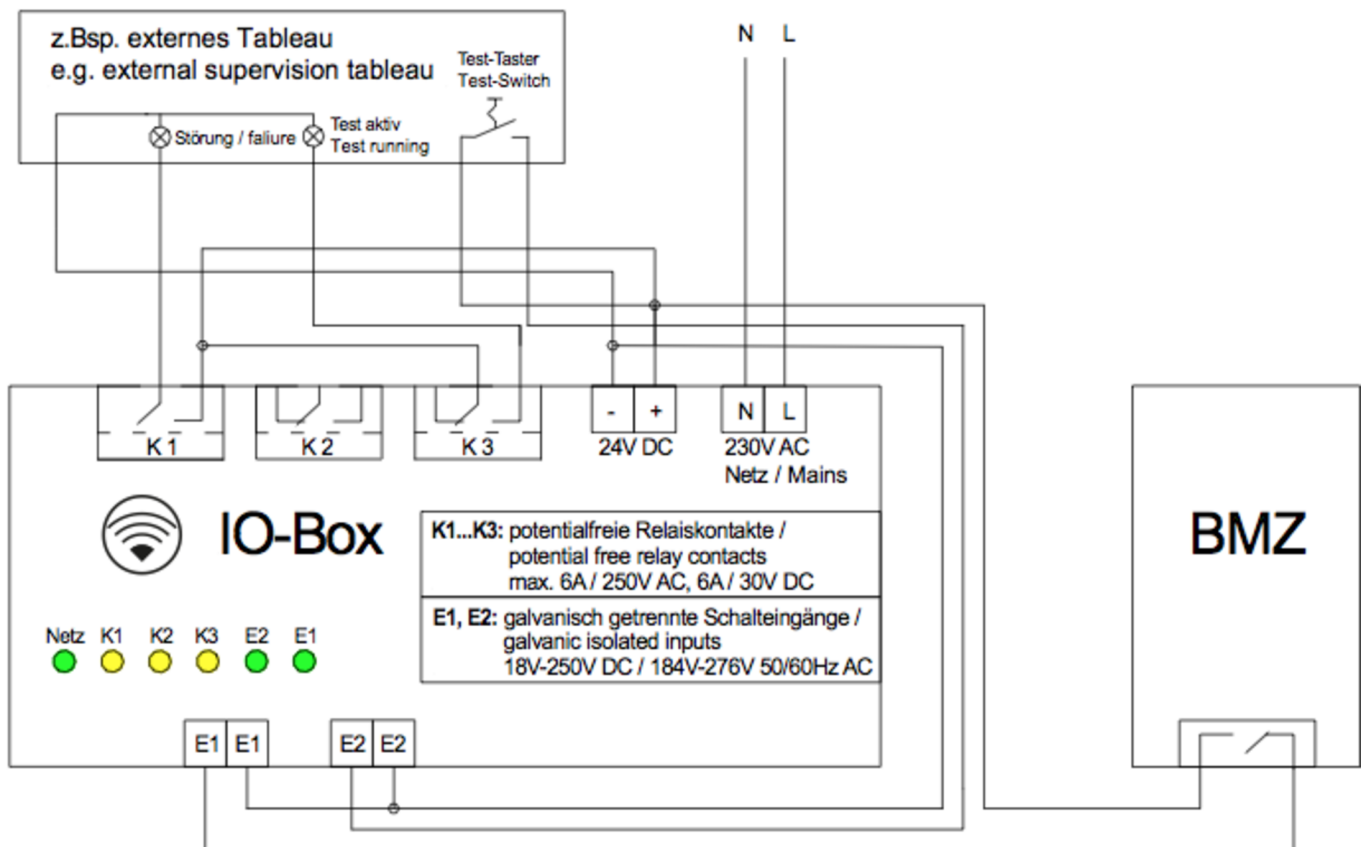
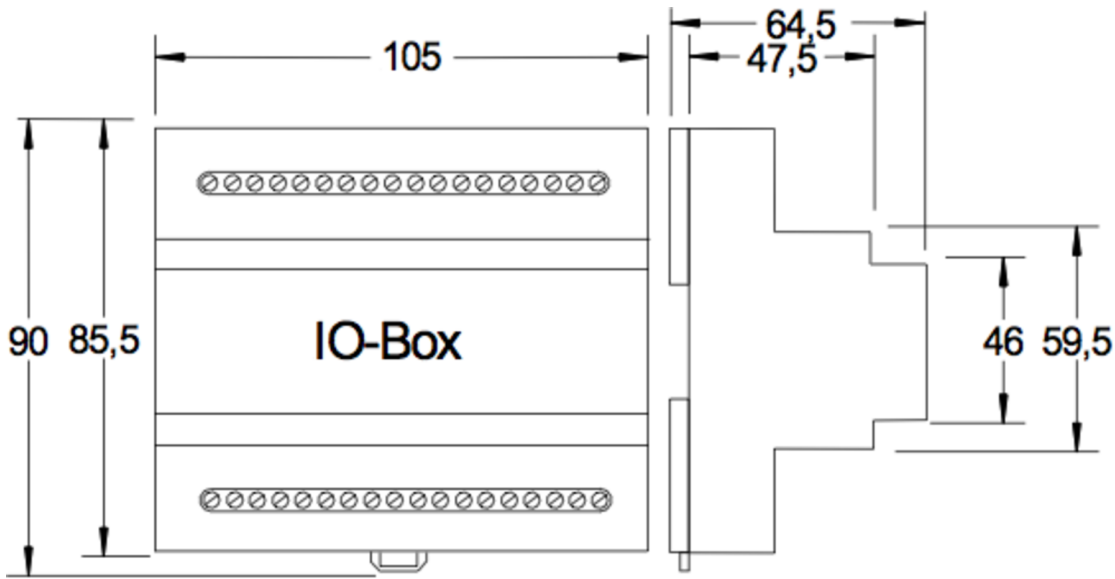
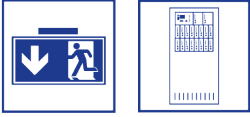
Mer informasjon

### TEKNISKE DATA

Inngangsspenning AC	230 V V
Inngangsfrekvens	50/60 Hz
dybde	60 mm
Bredde	105 mm
Høyde	85 mm
Vekt	0.36 kg
Tolltariffnummer	85176200
Opprinnelsesland	DEUTSCHLAND



TEKNISK TEGNING



stand: 21.06.2024 - Det tas forbehold om tekniske endringer og feil.