



Art.-Nr: WKD411WL
Exit sign Single Battery
Recessed mounting, Wireless Professional (WL), 1 h, 36 m,
IP20, Metal, white

Square emergency exit sign cube luminaire for identifying escape and emergency routes. It can be mounted straight onto the ceiling or suspended using the appropriate accessories.

The cube shape means that this plastic luminaire is easily recognisable from four sides. Ideal for use where routes intersect, e.g. in large stores with aisles.

Wireless central control and monitoring for large installations of up to 50,000 luminaires with Wireless Professional. Planning certainty is provided by printed pictograms, determined on the basis of logic. The pictograms used correspond to DIN ISO 7010 (arrow to the right, left and down).



More information

www.rp-group.com/en/item/WKD411WL



TECHNICAL DATA

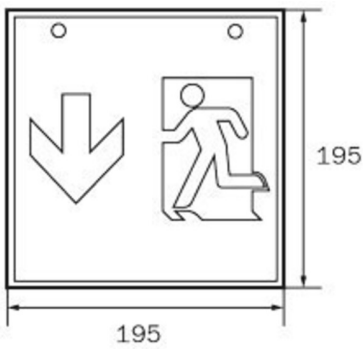
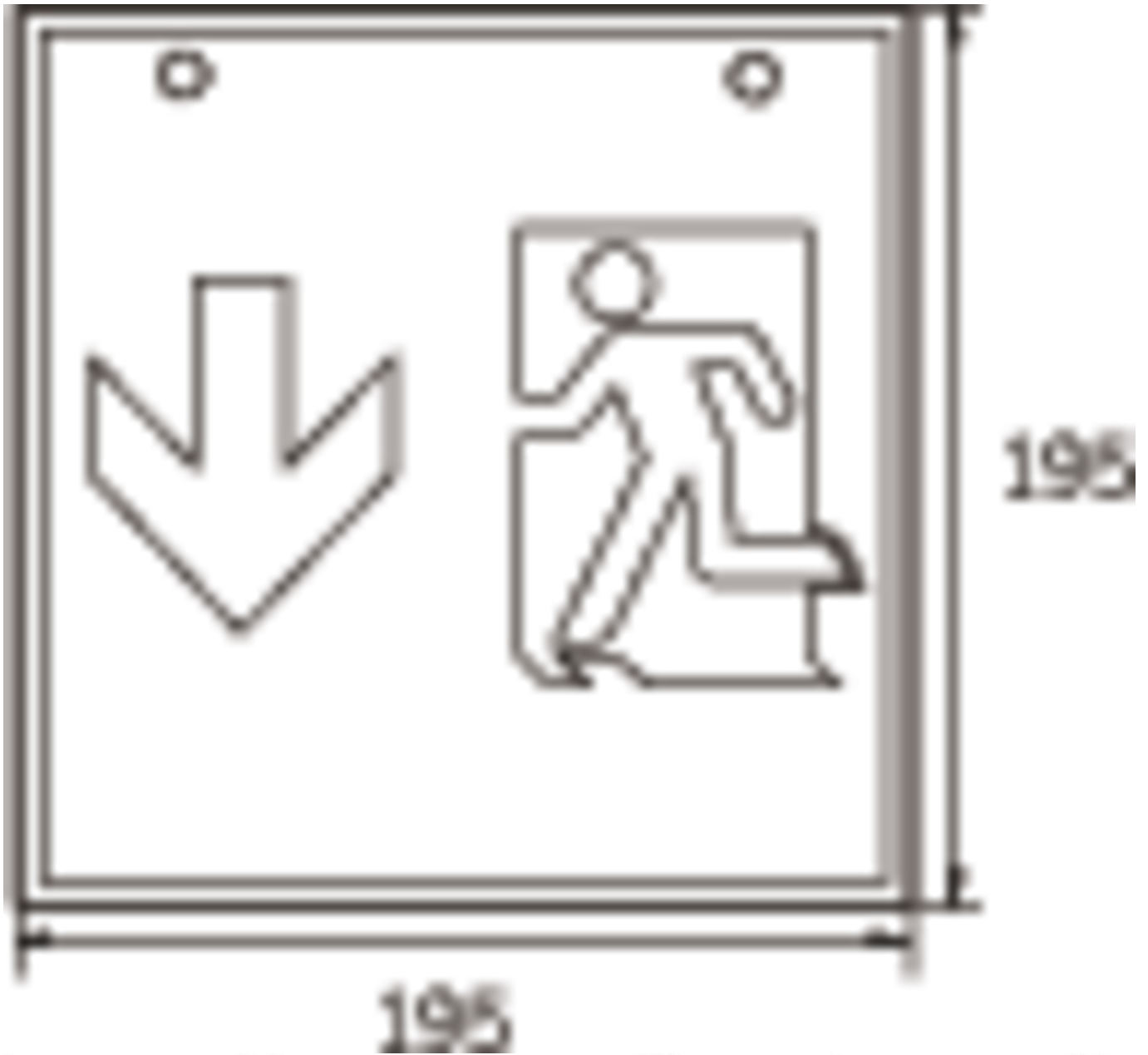
Luminaire type	Exit sign
Mounting	Recessed mounting
Recognition distance	36 m
Pictograph	Set
Illuminant	LED
Housing material	Metal
Housing color	white
Protection type (IP)	IP20
Impact resistance (IK)	≥ 3
Certification	WEEE, CE
Insulation class	1
Supply	Single Battery
Monitoring	Wireless Professional (WL)
Bridging time	1 h
Battery	LiFePO4 6,4 V/1,6 Ah
Operating mode	Standby circuit / permanent circuit
Input voltageAC	230 V



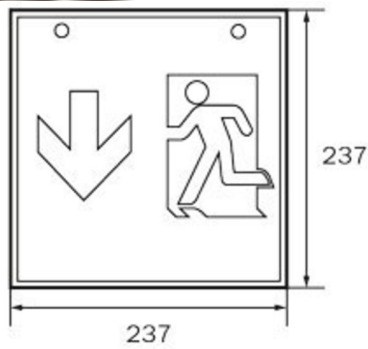
Input frequency	50 Hz
Power max.	6,4 W
Power DS	5,1 W
Power BS	0,8 W
Ambient temperature DS	-5 °C - 40 °C
Ambient temperature BS	-5 °C - 40 °C
Depth	195 mm
Width	195 mm
Height	195 mm
Weight	0.89
Weight incl. packaging	1.03
Connection cross-section	2.5 mm ²
Switching input	Yes
Emergency light blocking	Yes
Battery connection	Connector
Dimming function	Yes
Luminous flux mains	470 lm
Luminous flux emergency	470 lm
Customs tariff number	94056180
EAN	4260766558580



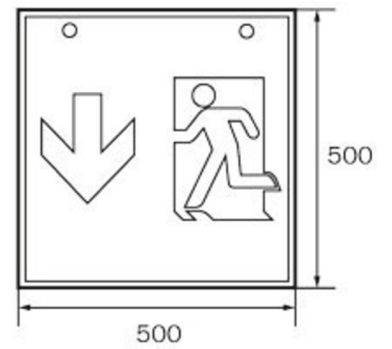
TECHNICAL DRAWING



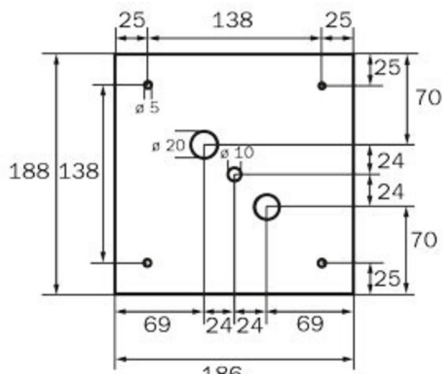
WG



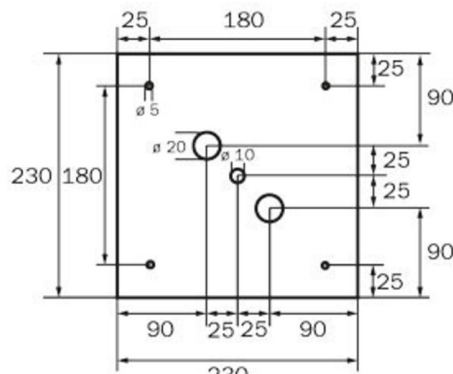
WK



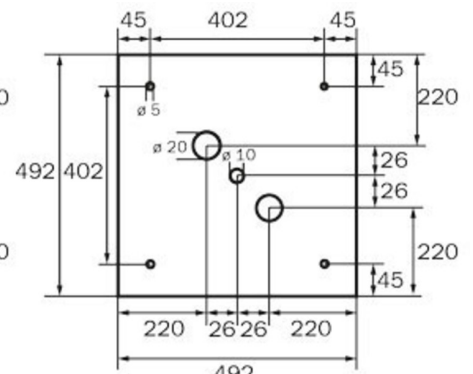
WX



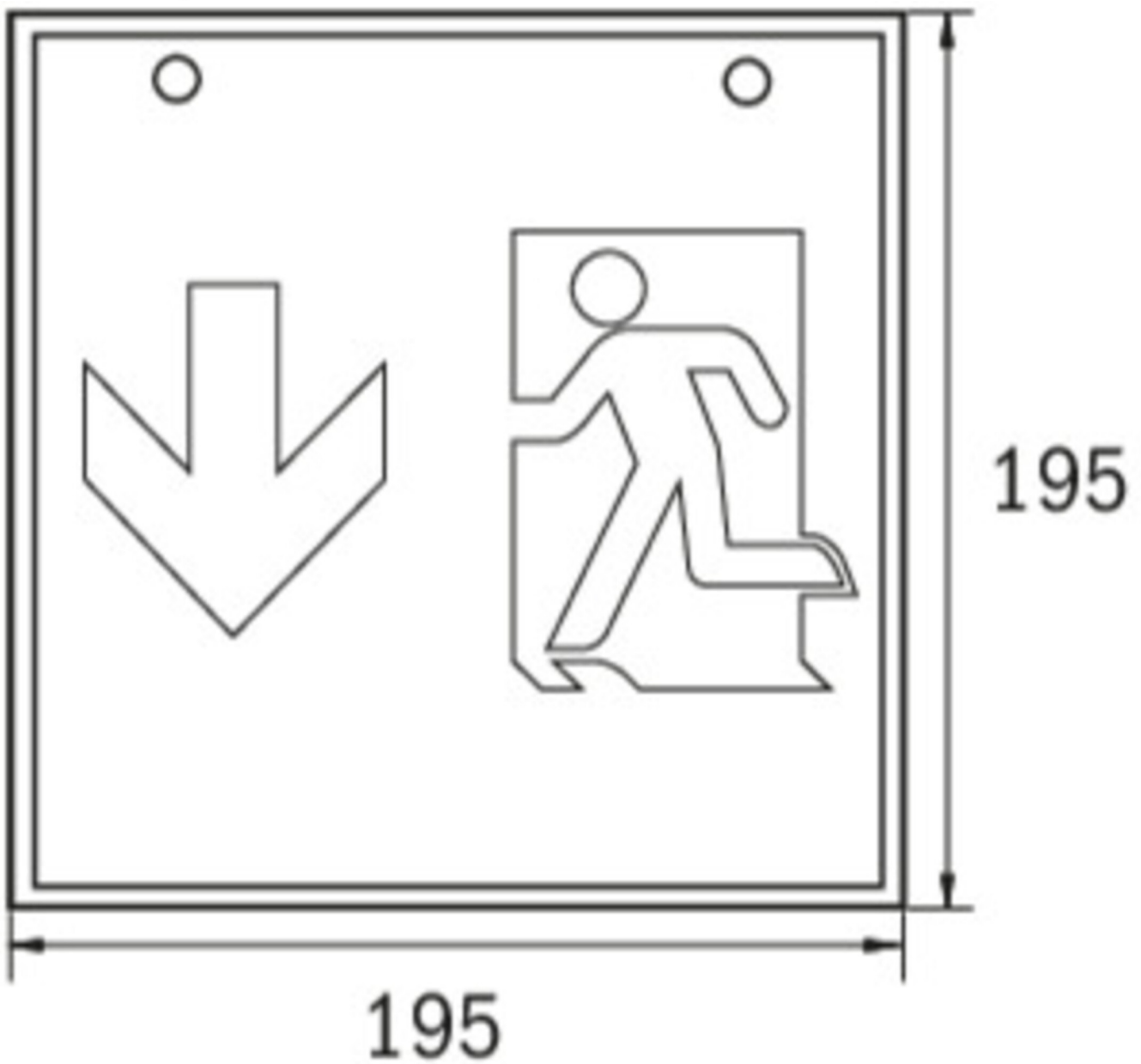
WG



WK



WX





ACCESSORY LIST

WKO -

1PV-EB -

DSA-Y4M - Wire suspension

DSA-Y4M-APA - Wire suspension

As of: 28.10.2024 - Subject to technical changes and errors.