

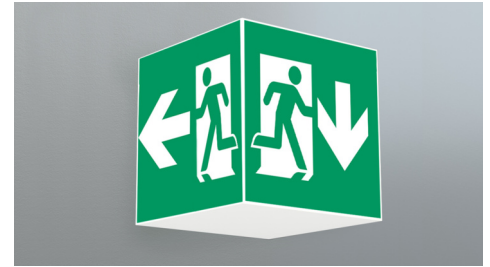


**Art.-Nr: WKD013**  
**Exit sign Self-contained**  
**Surface mounting, Without monitoring, 3 h, 36 m, IP20, Metal, White**

Square emergency exit sign cube luminaire for identifying escape and emergency routes. It can be mounted straight onto the ceiling or suspended using the appropriate accessories.

The cube shape means that this plastic luminaire is easily recognisable from four sides. Ideal for use where routes intersect, e.g. in large stores with aisles.

Planning certainty is provided by printed pictograms, determined on the basis of logic. The pictograms used correspond to DIN ISO 7010 (arrow to the right, left and down).



More information  
[www.rp-group.com/en/item/WKD013](http://www.rp-group.com/en/item/WKD013)



## TECHNICAL DATA

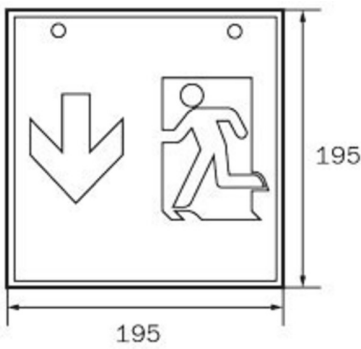
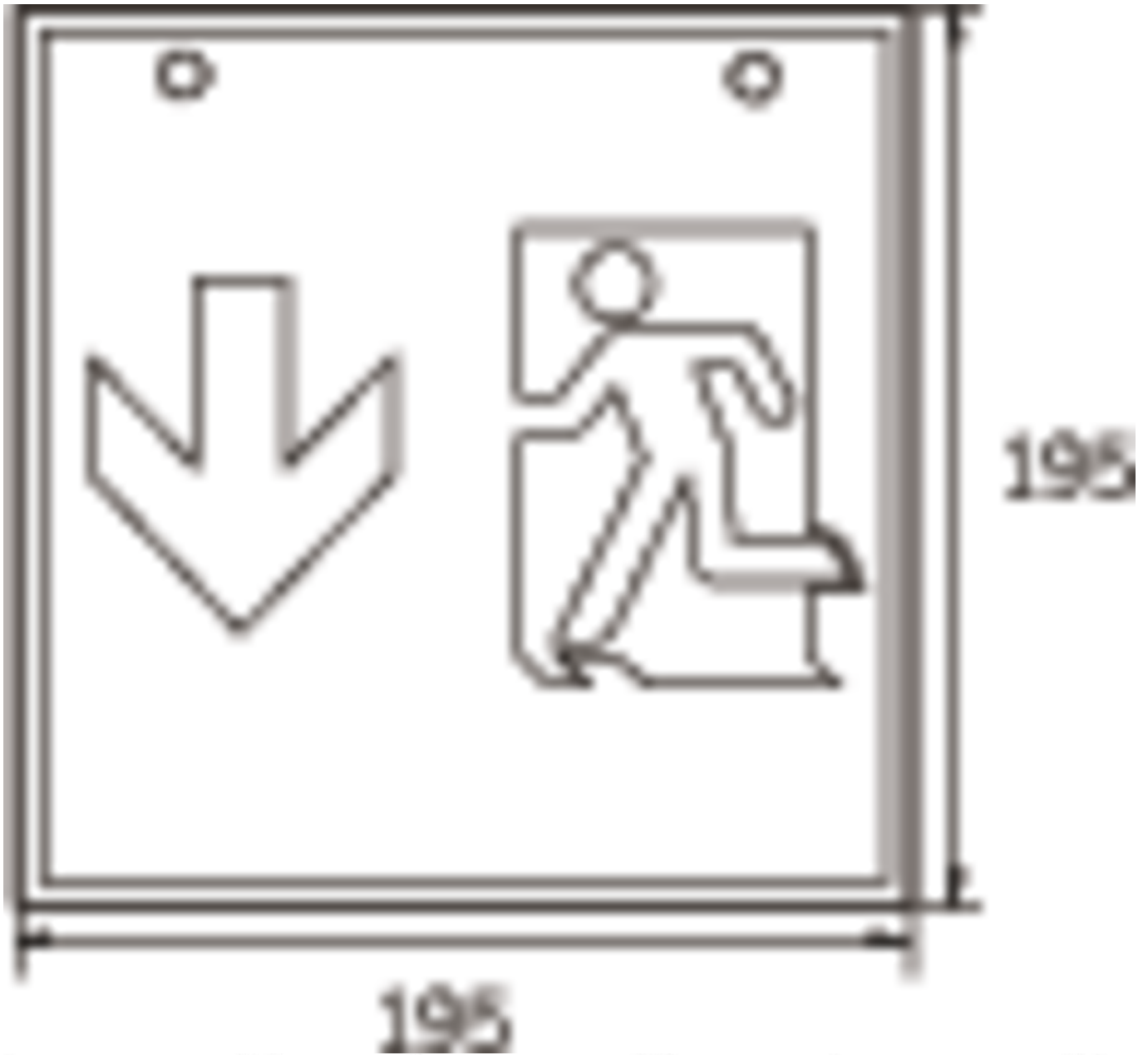
Luminaire type	Exit sign
Mounting	Surface mounting
Recognition distance	36 m
Pictograph	Set
Illuminant	LED
Housing material	Metal
Housing color	White
Protection type (IP)	IP20
Impact resistance (IK)	≥ 3
Certification	WEEE, CE
Insulation class	1
Supply	Self-contained
Monitoring	Without monitoring
Bridging time	3 h
Battery	NIMH 4,8 V/2,0 Ah
Operating mode	Non-maintained / maintained
Input voltageAC	230 V
Input frequency	50 / 60 Hz



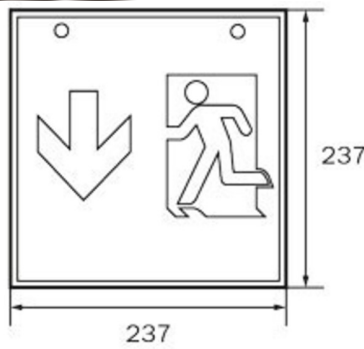
Power max.	6,1 W
Power maintained	4,5 W
Power non-maintained	0,35 W
Ambient temperature maintained mode	-5 °C to 40 °C
Ambient temperature non-maintained mode	-5 °C to 40 °C
Depth	195 mm
Width	195 mm
Height	195 mm
Weight	0.92
Weight incl. packaging	1.06
Connection cross-section	2.5 mm <sup>2</sup>
Switching input	Yes
Emergency light blocking	Yes
Battery connection	Connector
Dimming function	Yes
Luminous flux mains	220 lm
Customs tariff number	94056120
EAN	4260349829960



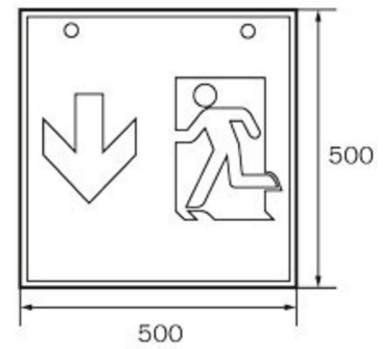
TECHNICAL DRAWING



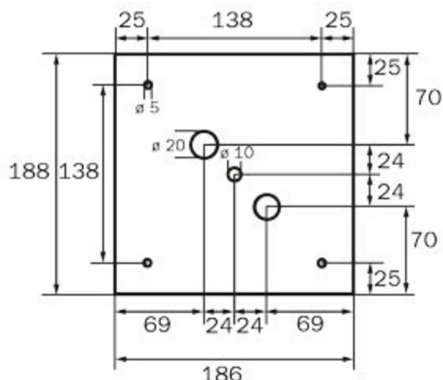
WK



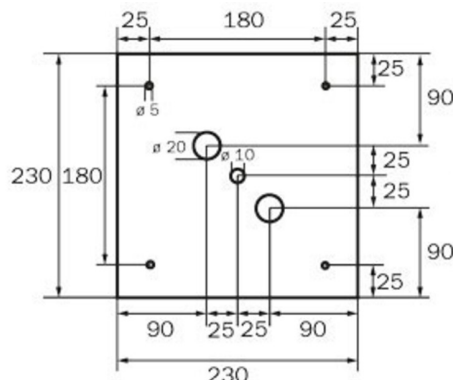
WG



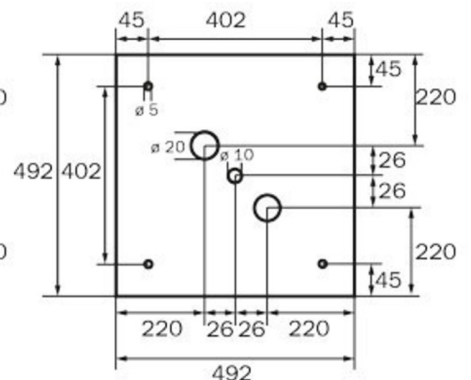
WX



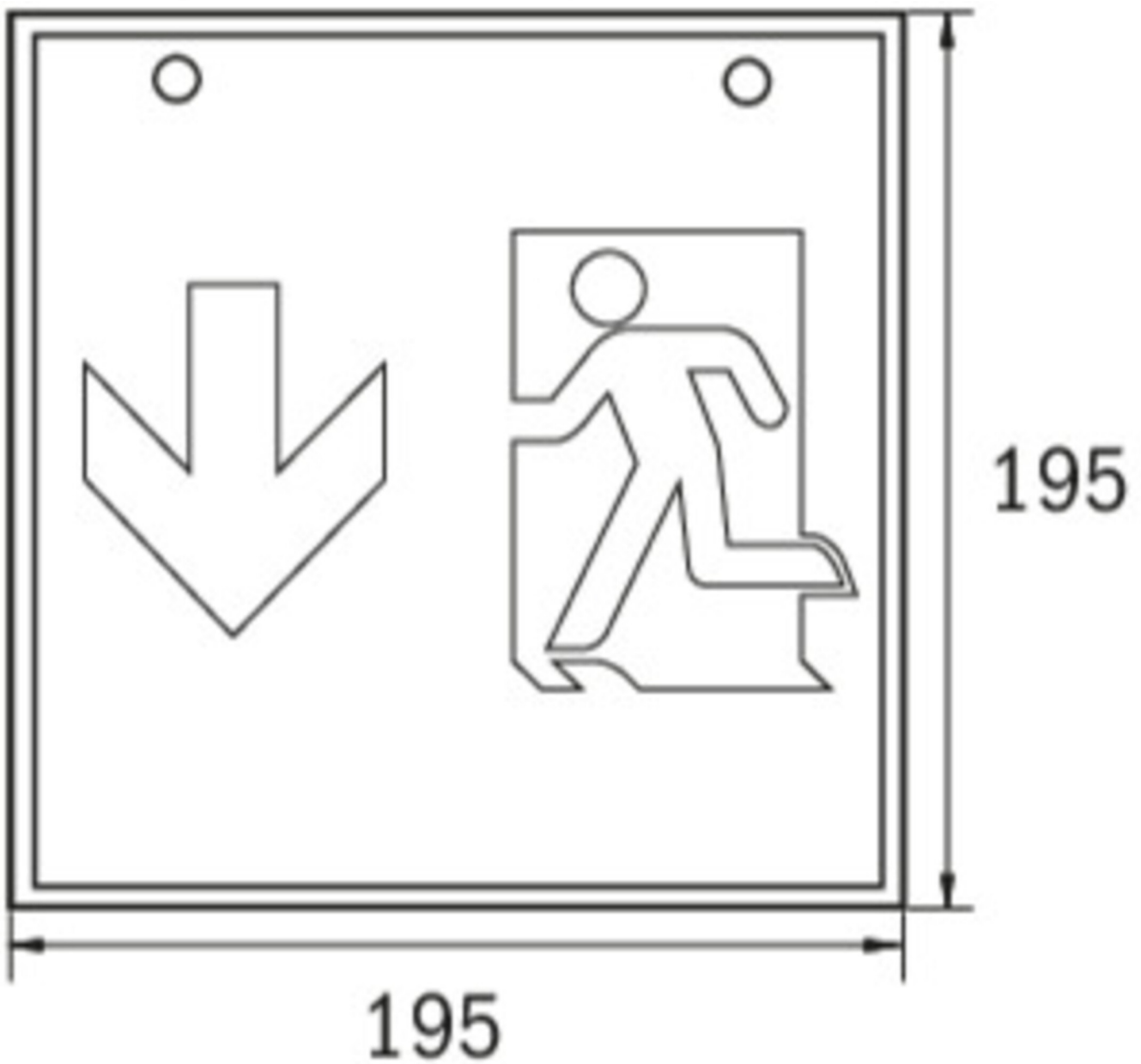
WK



WG



WX





## ACCESSORY LIST

WKO -

1PV-EB -

DSA-Y4M - Wire suspension

DSA-Y4M-APA - Wire suspension

As of: 04.04.2025 - Subject to technical changes and errors.