

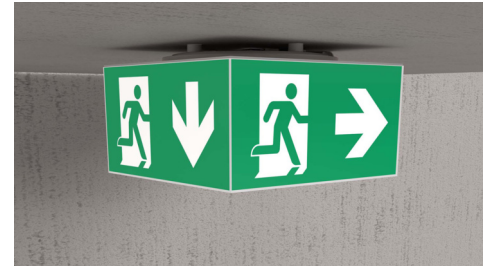


Art.-Nr: WHXD019
Exit sign Centralised power supply systems
Ceiling, Without monitoring, CPS, 30 m, IP65, Plastic, white

Modern emergency exit sign cube luminaire for identifying escape and emergency routes with easy-to-mount bayonet catch. It can be mounted straight onto the ceiling or suspended using the appropriate accessories.

The cube shape means that this plastic luminaire is easily recognisable from four sides. Ideal for use where routes intersect, e.g. in large stores with aisles.

Planning certainty is provided by printed pictograms, determined on the basis of logic. The pictograms used correspond to DIN ISO 7010 (arrow to the right, left and down).



More information
www.rp-group.com/en/item/WHXD019



TECHNICAL DATA

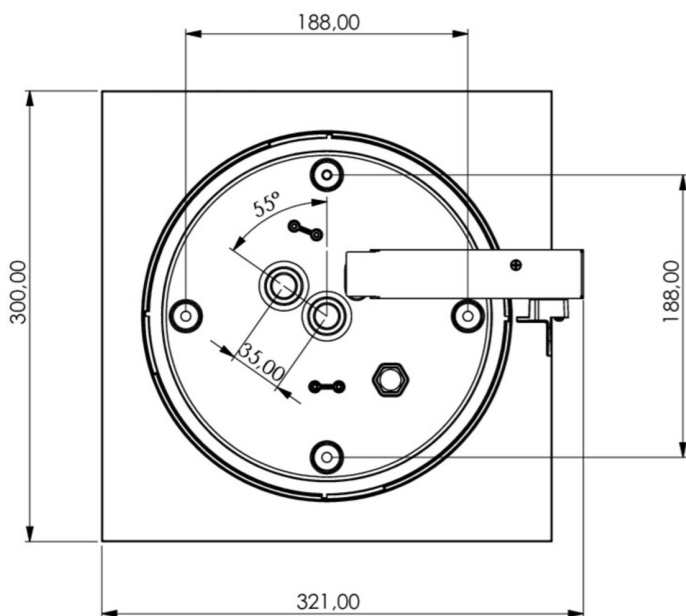
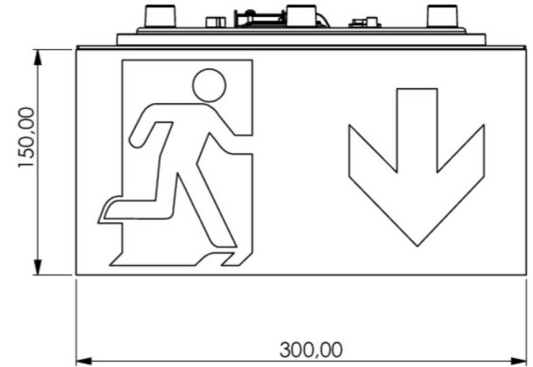
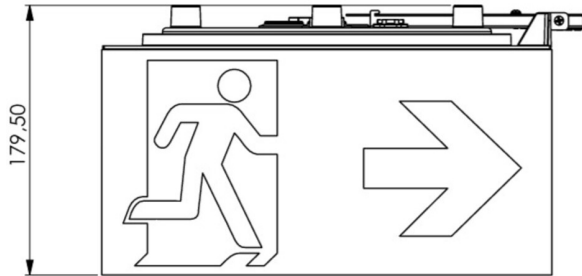
Luminaire type	Exit sign
Mounting	Ceiling
Recognition distance	30 m
Pictograph	Set
Illuminant	LED
Housing material	Plastic
Housing color	white
Protection type (IP)	IP65
Impact resistance (IK)	4
Certification	CE, WEEE, D-Sign
Insulation class	2
Supply	Centralised power supply systems
Monitoring	Without monitoring
Bridging time	CPS
Battery	/
Operating mode	Permanent circuit
Input voltage AC	230 V
Input frequency	50 / 60 Hz
Input voltage DC	100-254 V



Power max.	4,6 W
Power DS	4,6 W
Power BS	0 W
Ambient temperature DS	-20 °C - 40 °C
Ambient temperature BS	-20 °C - 40 °C
Depth	300 mm
Width	300 mm
Height	179.5 mm
Weight	1.59
Weight incl. packaging	1.82
Connection cross-section	1.5 mm ²
Switching input	No
Emergency light blocking	No
Battery connection	No
Dimming function	No
Luminous flux mains	520 lm
Luminous flux emergency	520 lm
Customs tariff number	94056180
EAN	4260682146465



TECHNICAL DRAWING



ACCESSORY LIST

- WKO -
- DSA-Y4M - Wire suspension
- DSA-Y4M-APA - Wire suspension

As of: 23.08.2024 - Subject to technical changes and errors.