



Art.-Nr: WHGD413WL
Exit sign Single Battery
Ceiling, Wireless Professional (WL), 3 h, 50m, IP65, Plastic, white

Modern emergency exit sign cube luminaire for identifying escape and emergency routes with easy-to-mount bayonet catch. It can be mounted straight onto the ceiling or suspended using the appropriate accessories.

The cube shape means that this plastic luminaire is easily recognisable from four sides. Ideal for use where routes intersect, e.g. in large stores with aisles.

Wireless central control and monitoring for large installations of up to 50,000 luminaires with Wireless Professional. Planning certainty is provided by printed pictograms, determined on the basis of logic. The pictograms used correspond to DIN ISO 7010 (arrow to the right, left and down).



More information

www.rp-group.com/en/item/WHGD413WL



TECHNICAL DATA

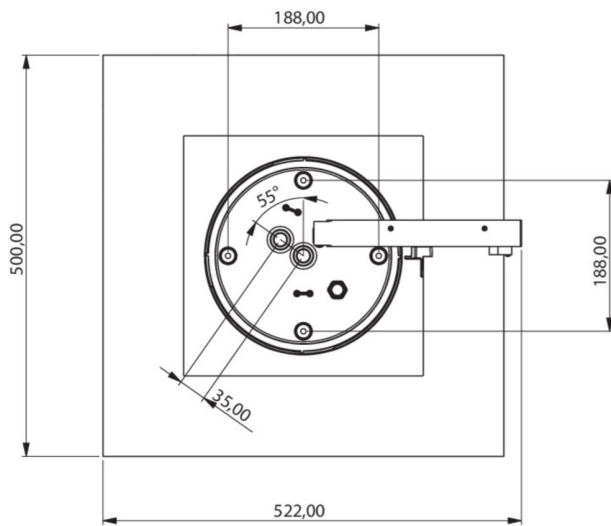
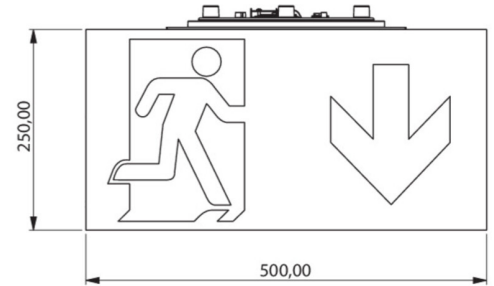
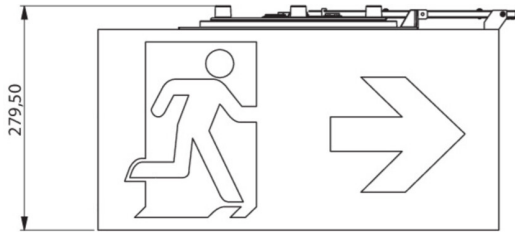
| | |
|------------------------|-------------------------------------|
| Luminaire type | Exit sign |
| Mounting | Ceiling |
| Recognition distance | 50m |
| Pictograph | Set |
| Illuminant | LED |
| Housing material | Plastic |
| Housing color | white |
| Protection type (IP) | IP65 |
| Impact resistance (IK) | ≥ 3 |
| Certification | CE, WEEE, D-Sign |
| Insulation class | 2 |
| Supply | Single Battery |
| Monitoring | Wireless Professional (WL) |
| Bridging time | 3 h |
| Battery | 6,4 V 3,3Ah Ah/ |
| Operating mode | Standby circuit / permanent circuit |
| Input voltageAC | 230 V |



| | |
|--------------------------|---------------------|
| Input frequency | 50 Hz |
| Power max. | 7,5 W |
| Power DS | 5,7 W |
| Power BS | 0,8 W |
| Depth | 500 mm |
| Width | 522 mm |
| Height | 280 mm |
| Weight | 4.38 |
| Weight incl. packaging | 5.01 |
| Connection cross-section | 2.5 mm ² |
| Switching input | Yes |
| Emergency light blocking | Yes |
| Battery connection | Connector |
| Dimming function | Yes |
| Luminous flux mains | 250 lm |
| Luminous flux emergency | 520 lm |
| Customs tariff number | 94056180 |
| EAN | 4260682146526 |



TECHNICAL DRAWING



ACCESSORY LIST

- DSA-Y4M - Wire suspension
- DSA-Y4M-APA - Wire suspension
- WKO -

As of: 23.08.2024 - Subject to technical changes and errors.