

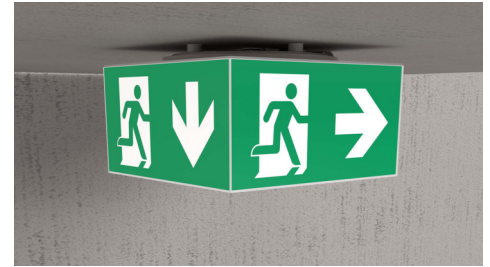


**Art.-Nr: WHGD411SC**  
**Exit sign Supply**  
**Ceiling, SelfControl (SC), 1 h, 50m, IP65, Plastic, white**

Modern emergency exit sign cube luminaire for identifying escape and emergency routes with easy-to-mount bayonet catch. It can be mounted straight onto the ceiling or suspended using the appropriate accessories.

The cube shape means that this plastic luminaire is easily recognisable from four sides. Ideal for use where routes intersect, e.g. in large stores with aisles.

Automatic monitoring of safety luminaire with SelfControl. Planning certainty is provided by printed pictograms, determined on the basis of logic. The pictograms used correspond to DIN ISO 7010 (arrow to the right, left and down).



More information

[www.rp-group.com/en/item/WHGD411SC](http://www.rp-group.com/en/item/WHGD411SC)



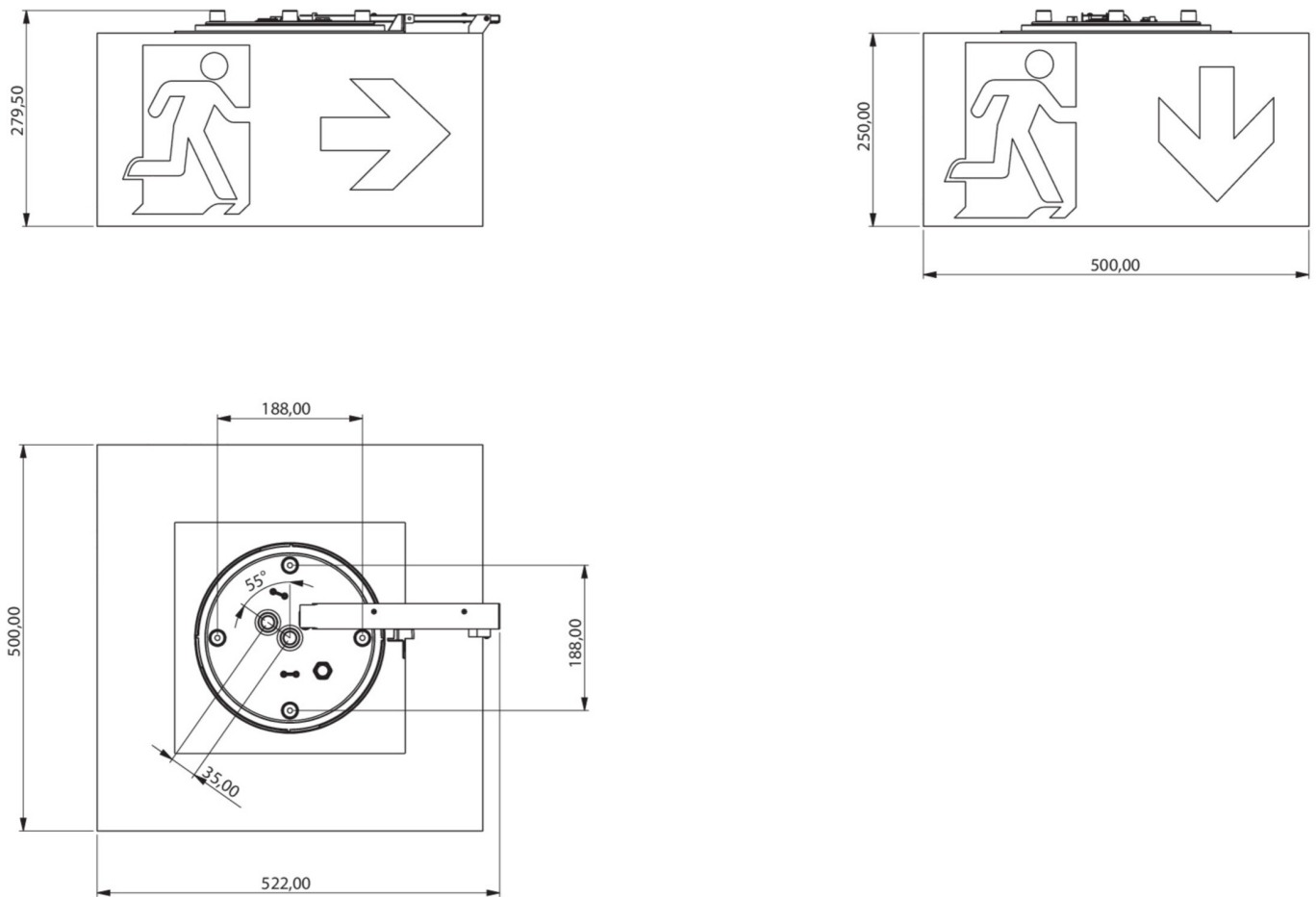
## TECHNICAL DATA

Luminaire type	Exit sign
Mounting	Ceiling
Recognition distance	50m
Pictograph	Set
Illuminant	LED
Housing material	Plastic
Housing color	white
Protection type (IP)	IP65
Impact resistance (IK)	≥ 3
Certification	CE, WEEE, D-Sign
Insulation class	2
Monitoring	SelfControl (SC)
Bridging time	1 h
Battery	6,4 V 1,6Ah Ah/
Power max.	6,4 W
Power DS	5,6 W
Power BS	0,9 W
Depth	500 mm
Width	522 mm



Height	280 mm
Weight	4.32
Weight incl. packaging	4.95
Customs tariff number	94056120
EAN	4260766553493

## TECHNICAL DRAWING



## ACCESSORY LIST

LFP3216-SET-2AKKU - CS\_VALUE\_BatteryTechnology. Battery

As of: 23.08.2024 - Subject to technical changes and errors.