

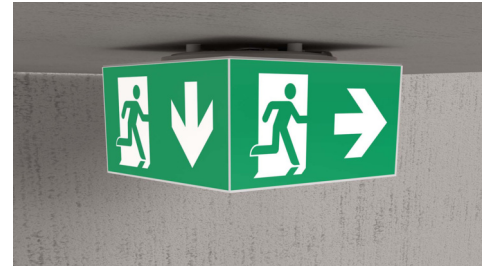


Art.-Nr: WHGD019ML
Exit sign Centralised power supply systems
Recessed mounting, Central power supply (ML), CPS, 50m,
IP65, Plastic, white

Modern emergency exit sign cube luminaire for identifying escape and emergency routes with easy-to-mount bayonet catch. It can be mounted straight onto the ceiling or suspended using the appropriate accessories.

The cube shape means that this plastic luminaire is easily recognisable from four sides. Ideal for use where routes intersect, e.g. in large stores with aisles.

Control and monitoring via central power supply system. Planning certainty is provided by printed pictograms, determined on the basis of logic. The pictograms used correspond to DIN ISO 7010 (arrow to the right, left and down).



More information
www.rp-group.com/en/item/WHGD019ML



TECHNICAL DATA

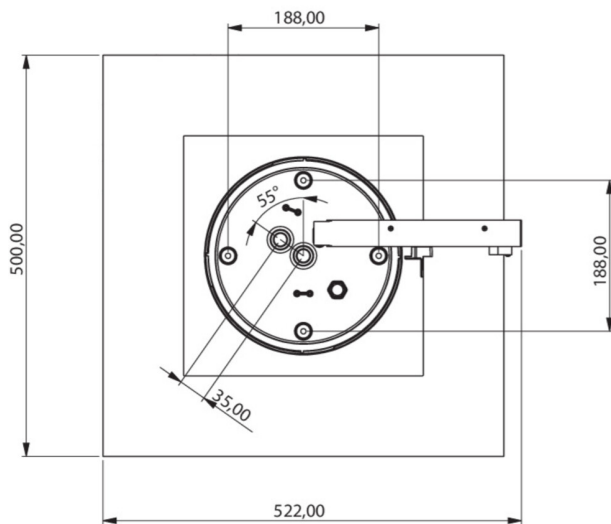
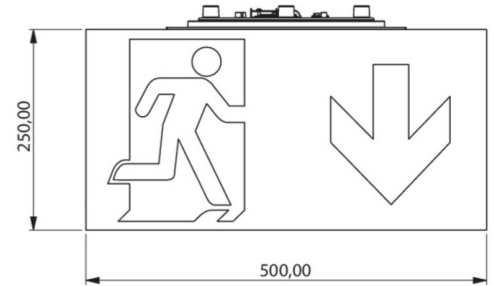
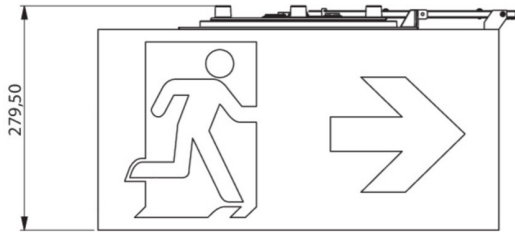
Luminaire type	Exit sign
Mounting	Recessed mounting
Recognition distance	50m
Pictograph	Set
Illuminant	LED
Housing material	Plastic
Housing color	white
Protection type (IP)	IP65
Impact resistance (IK)	≥ 3
Certification	CE, WEEE, D-Sign
Insulation class	2
Supply	Centralised power supply systems
Monitoring	Central power supply (ML)
Bridging time	CPS
Battery	/
Operating mode	single luminaire switching
Input voltageAC	230 V
Input frequency	50 / 60 Hz



Input voltage DC	216 V
Power max.	5,2 W
Power DS	5,2 W
Power BS	1,1 W
Ambient temperature DS	-20 °C - 40 °C
Ambient temperature BS	-20 °C - 40 °C
Depth	500 mm
Width	522 mm
Height	280 mm
Weight	4.22
Weight incl. packaging	4.85
Connection cross-section	2.5 mm ²
Switching input	Yes
Emergency light blocking	No
Battery connection	No
Dimming function	Yes
Luminous flux mains	520 lm
Luminous flux emergency	520 lm
Customs tariff number	94056180
EAN	4260682146540



TECHNICAL DRAWING



ACCESSORY LIST

- DSA-Y4M - Wire suspension
- DSA-Y4M-APA - Wire suspension
- WKO -

As of: 17.10.2024 - Subject to technical changes and errors.