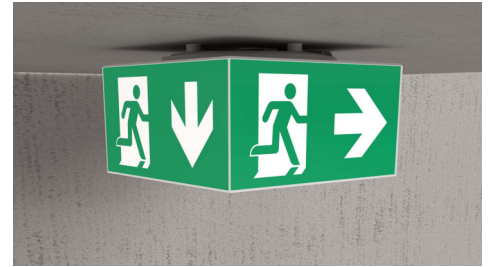




Art.-Nr: WHGD019
Exit sign Centralised power supply systems
Ceiling, CPS, CPS, 50m, IP65, Plastic, white

Escape sign cube luminaire for marking escape and rescue routes with easy-to-mount bayonet catch. Preferably for applications at path crossings, e.g. in department stores with shelf aisles.

Planning reliability is provided by logically specified printed pictograms. LED escape sign luminaire according to DIN EN 60598-1, DIN EN 60598-2-22, DIN EN 7010 and DIN EN 1838.



More information



TECHNICAL DATA

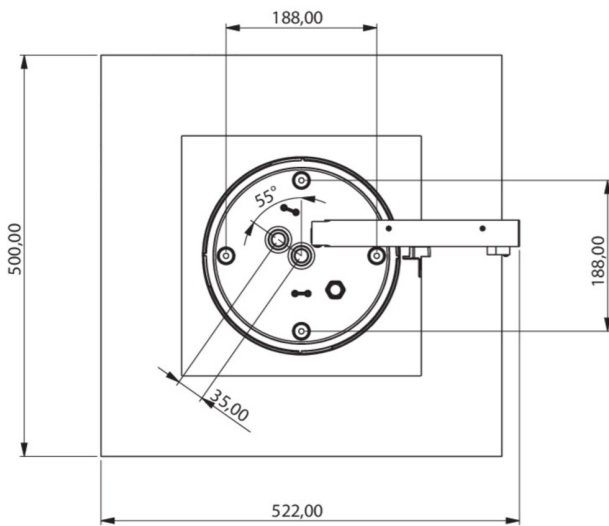
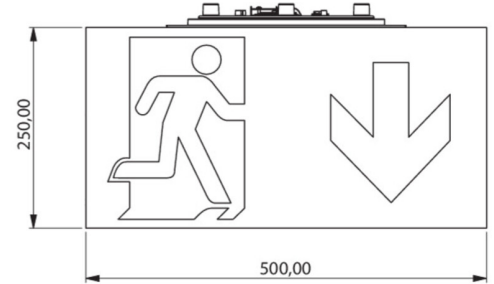
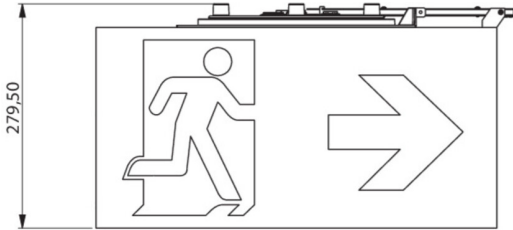
Luminaire type	Exit sign
Mounting	Ceiling
Recognition distance	50m
Pictograph	Set
Illuminant	LED
Housing material	Plastic
Housing color	white
Protection type (IP)	IP65
Impact resistance (IK)	≥ 3
Certification	CE, WEEE, D-Sign
Insulation class	2
Supply	Centralised power supply systems
Monitoring	CPS
Bridging time	CPS
Operating mode	Permanent circuit
Input voltage AC	230 V
Input frequency	50 / 60 Hz
Input voltage DC	100-254 V
Power max.	4,6 W
Power DS	4,6 W
Power BS	0 W



Ambient temperature DS	-20 °C - 40 °C
Ambient temperature BS	-20 °C - 40 °C
Depth	500 mm
Width	522 mm
Height	280 mm
Weight	4.19
Weight incl. packaging	4.82
Connection cross-section	1.5 mm ²
Switching input	No
Emergency light blocking	No
Battery connection	No
Dimming function	No
Luminous flux mains	520 lm
Luminous flux emergency	520 lm
Customs tariff number	94056180
EAN	4260682146533



TECHNICAL DRAWING



ACCESSORY LIST

- DSA-Y4M -
- DSA-Y4M-APA -
- WKO -

As of: 17.07.2024 - Subject to technical changes and errors.