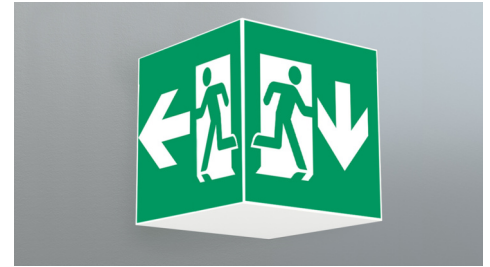




Art.-Nr: WGW019ML
Exit sign Centralised power supply systems
Wall, ML, CPS, 46 m, IP20, Metal, white

This polycarbonate luminaire with its cube shape is visible from 4 directions. That makes it ideal for use with crossroads e.g. in department stores with several isles. Planning security is provided through logically predefined imprinted pictograms. LED escape route indication luminaire in accordance with DIN EN 605981, EN 60598-2-22, EN 7010 and DIN EN 1838th



More information



TECHNICAL DATA

Luminaire type	Exit sign
Mounting	Wall
Recognition distance	46 m
Pictograph	Set
Illuminant	LED
Housing material	Metal
Housing color	white
Protection type (IP)	IP20
Impact resistance (IK)	≥ 3
Certification	WEEE, CE
Insulation class	1
Supply	Centralised power supply systems
Monitoring	ML
Bridging time	CPS
Operating mode	single luminaire switching
Input voltage AC	230 V
Input frequency	50 / 60 Hz
Input voltage DC	216 V
Power max.	5,2 W
Power DS	5,2 W
Power BS	1,1 W
Ambient temperature DS	-20 °C - 40 °C



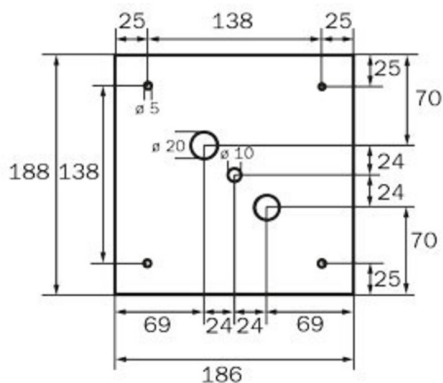
Ambient temperature BS	-20 °C - 40 °C
Depth	237 mm
Width	237 mm
Height	237 mm
Weight	1.19
Weight incl. packaging	1.33
Connection cross-section	2.5 mm ²
Switching input	Yes
Emergency light blocking	No
Battery connection	No
Dimming function	Yes
Luminous flux mains	250 lm
Luminous flux emergency	250 lm
Customs tariff number	94056120
EAN	4260659564179



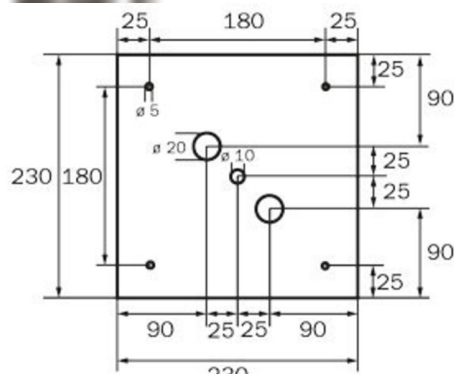
TECHNICAL DRAWING



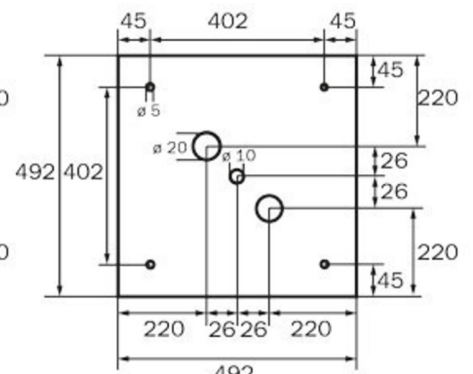
237



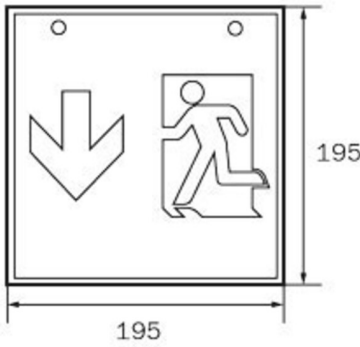
WG



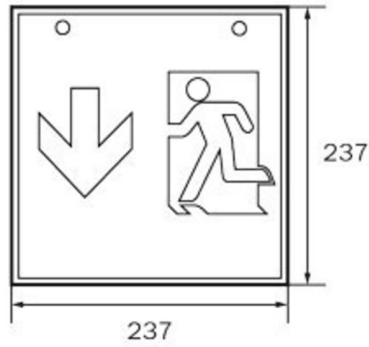
WK



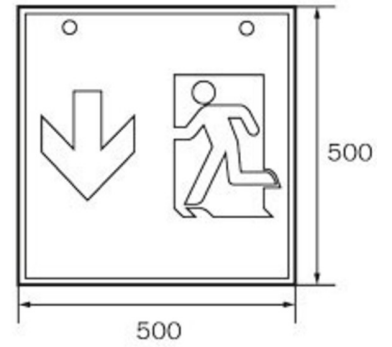
WX



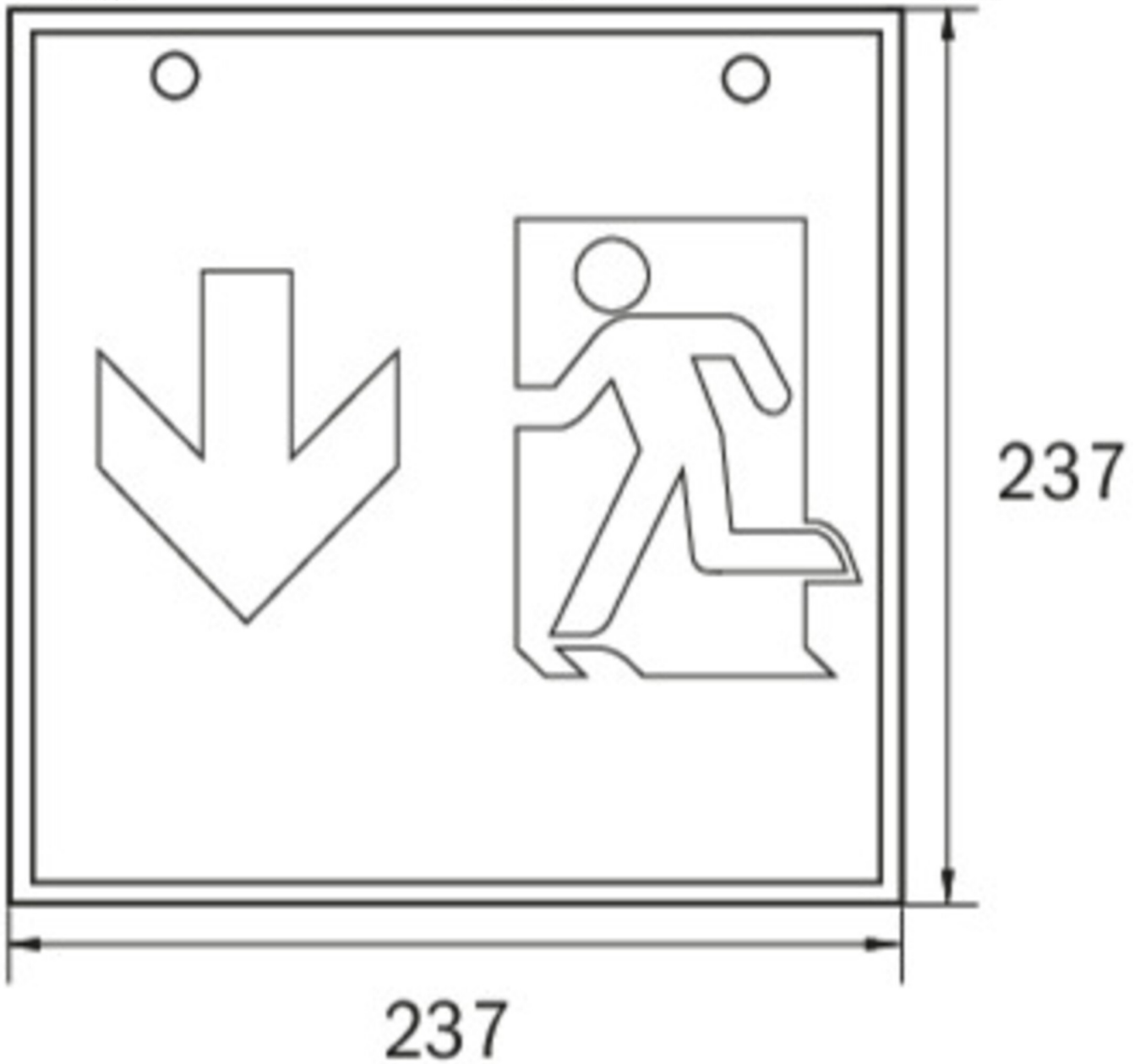
WG



WK



WX





ACCESSORY LIST

WKO -

As of: 17.07.2024 - Subject to technical changes and errors.