

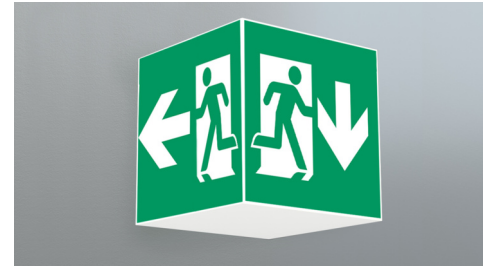


**Art.-Nr: WGD418SC**  
**Exit sign Supply**  
**Recessed mounting, SelfControl (SC), 8 h, 46 m, IP20, Metal, white**

Square emergency exit sign cube luminaire for identifying escape and emergency routes. It can be mounted straight onto the ceiling or suspended using the appropriate accessories.

The cube shape means that this plastic luminaire is easily recognisable from four sides. Ideal for use where routes intersect, e.g. in large stores with aisles.

Automatic monitoring of safety luminaire with SelfControl. Planning certainty is provided by printed pictograms, determined on the basis of logic. The pictograms used correspond to DIN ISO 7010 (arrow to the right, left and down).



More information  
[www.rp-group.com/en/item/WGD418SC](http://www.rp-group.com/en/item/WGD418SC)



## TECHNICAL DATA

|                        |                      |
|------------------------|----------------------|
| Luminaire type         | Exit sign            |
| Mounting               | Recessed mounting    |
| Recognition distance   | 46 m                 |
| Pictograph             | Set                  |
| Illuminant             | LED                  |
| Housing material       | Metal                |
| Housing color          | white                |
| Protection type (IP)   | IP20                 |
| Impact resistance (IK) | ≥ 3                  |
| Certification          | WEEE, CE             |
| Insulation class       | 1                    |
| Monitoring             | SelfControl (SC)     |
| Bridging time          | 8 h                  |
| Battery                | LiFePO4 6,4 V/3,3 Ah |
| Power max.             | 5,3 W                |
| Power DS               | 3,9 W                |
| Power BS               | 2 W                  |
| Ambient temperature DS | -5 °C - 40 °C        |



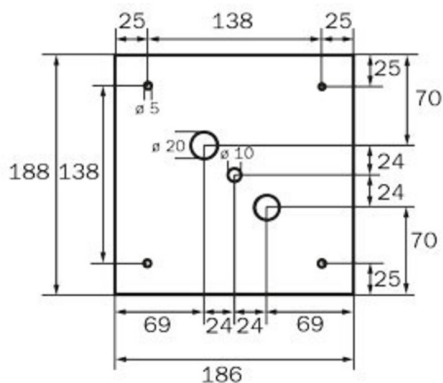
|                         |               |
|-------------------------|---------------|
| Ambient temperature BS  | -5 °C - 40 °C |
| Depth                   | 237 mm        |
| Width                   | 237 mm        |
| Height                  | 237 mm        |
| Weight                  | 1.34          |
| Weight incl. packaging  | 1.48          |
| Luminous flux mains     | 190 lm        |
| Luminous flux emergency | 190 lm        |
| EAN                     | 4262483023426 |



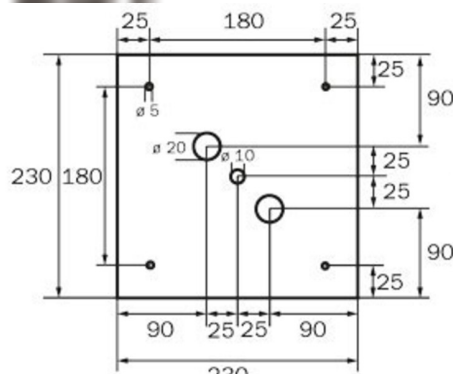
TECHNICAL DRAWING



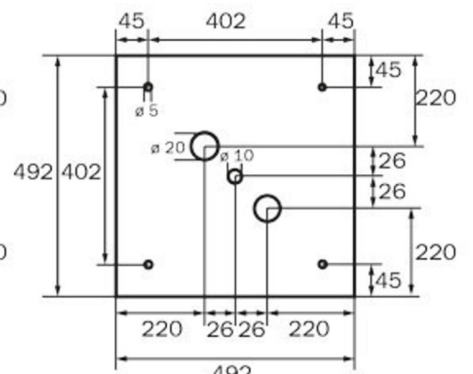
237



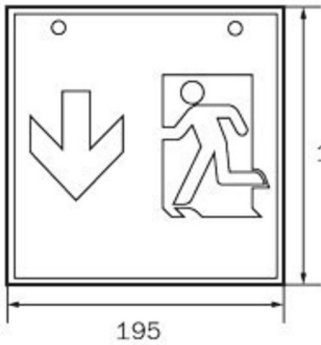
WG



WK



WX



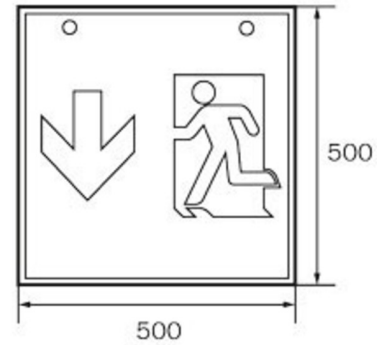
195

WG



237

WK



500

WX



237

237



## ACCESSORY LIST

WKO -

1PV-EB -

DSA-Y4M-APA - Wire suspension

DSA-Y4M - Wire suspension

As of: 04.11.2024 - Subject to technical changes and errors.