



Art.-Nr: WGD013
Exit sign Single Battery
Recessed mounting, Without monitoring, 3 h, 46 m, IP20,
Metal, white

Square emergency exit sign cube luminaire for identifying escape and emergency routes. It can be mounted straight onto the ceiling or suspended using the appropriate accessories.

The cube shape means that this plastic luminaire is easily recognisable from four sides. Ideal for use where routes intersect, e.g. in large stores with aisles.

Planning certainty is provided by printed pictograms, determined on the basis of logic. The pictograms used correspond to DIN ISO 7010 (arrow to the right, left and down).



More information
www.rp-group.com/en/item/WGD013



TECHNICAL DATA

| | |
|------------------------|-------------------------------------|
| Luminaire type | Exit sign |
| Mounting | Recessed mounting |
| Recognition distance | 46 m |
| Pictograph | Set |
| Illuminant | LED |
| Housing material | Metal |
| Housing color | white |
| Protection type (IP) | IP20 |
| Impact resistance (IK) | ≥ 3 |
| Certification | WEEE, CE |
| Insulation class | 1 |
| Supply | Single Battery |
| Monitoring | Without monitoring |
| Bridging time | 3 h |
| Battery | NIMH 4,8 V/2,0 Ah |
| Operating mode | Standby circuit / permanent circuit |
| Input voltageAC | 230 V |
| Input frequency | 50 / 60 Hz |



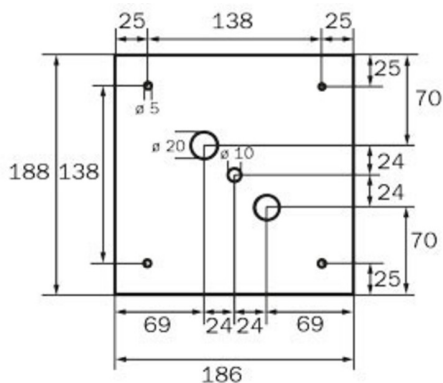
| | |
|--------------------------|---------------------|
| Power max. | 6,1 W |
| Power DS | 4,5 W |
| Power BS | 0,35 W |
| Ambient temperature DS | -5 °C - 40 °C |
| Ambient temperature BS | -5 °C - 40 °C |
| Depth | 237 mm |
| Width | 237 mm |
| Height | 237 mm |
| Weight | 1.31 |
| Weight incl. packaging | 1.45 |
| Connection cross-section | 2.5 mm ² |
| Switching input | Yes |
| Emergency light blocking | Yes |
| Battery connection | Connector |
| Dimming function | Yes |
| Luminous flux mains | 220 lm |
| Customs tariff number | 94056120 |
| EAN | 4260123684167 |



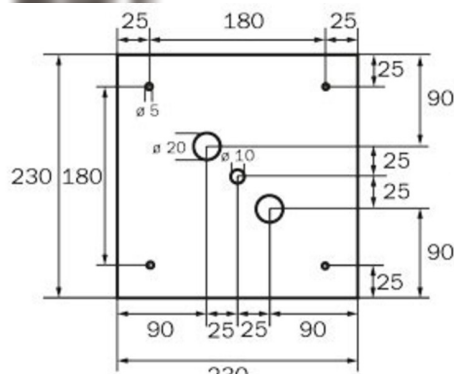
TECHNICAL DRAWING



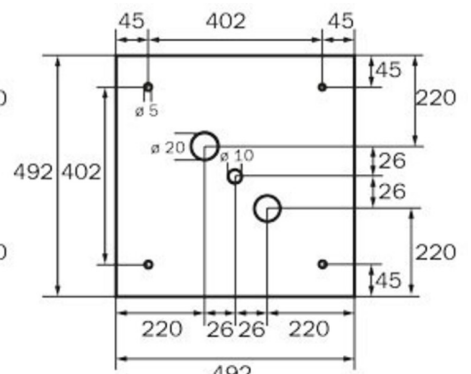
237



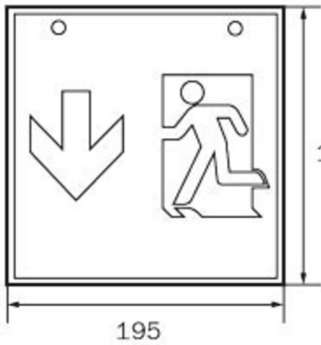
WG



WK



WX



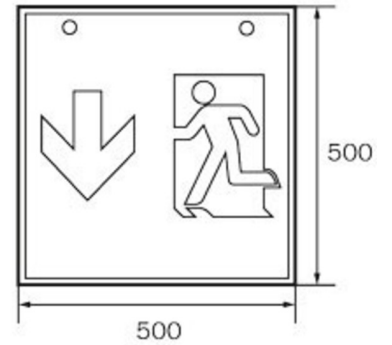
195

WG



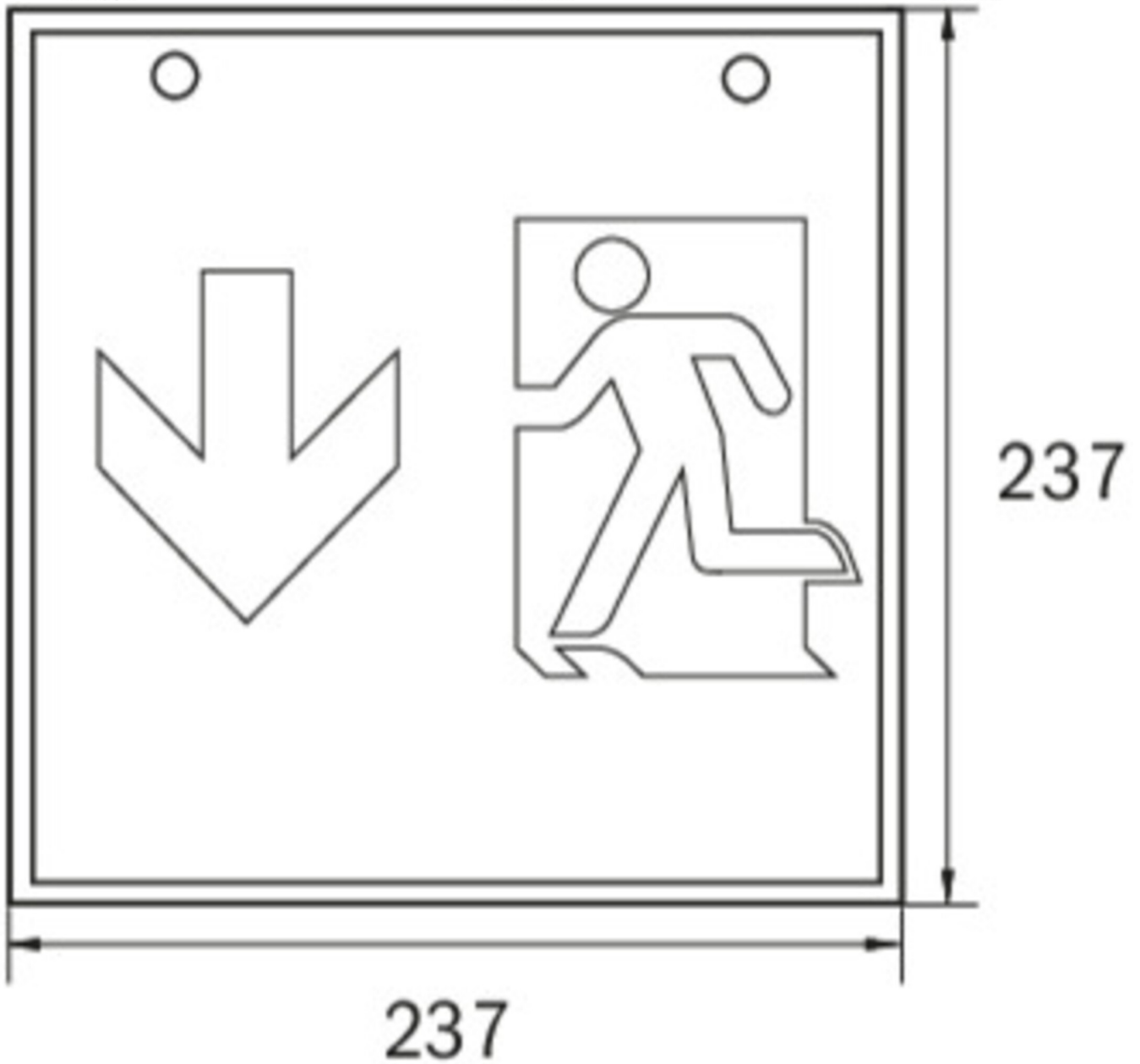
237

WK



500

WX



237

237



ACCESSORY LIST

WKO -

1PV-EB -

DSA-Y4M-APA - Wire suspension

DSA-Y4M - Wire suspension

As of: 25.10.2024 - Subject to technical changes and errors.