



**Art.-Nr: WFXW413WL**  
**Exit sign Single Battery**  
**Wall, Wireless Professional (WL), 3 h, 30 m, IP65, Plastic,**  
**white**

Modern emergency exit sign wall luminaire in a square format.

For identifying escape and emergency routes. As an option, the luminaire can be used to identify other adjoining rooms.

The high level of protection can be ensured thanks to the easy-to-mount bayonet catch, making the luminaire suitable for varied use.

Wireless central control and monitoring for large installations of up to 50,000 luminaires with Wireless Professional. The requested pictogram (arrow to the right, left, up or down) is supplied as standard.



More information

[www.rp-group.com/en/item/WFXW413WL](http://www.rp-group.com/en/item/WFXW413WL)



## TECHNICAL DATA

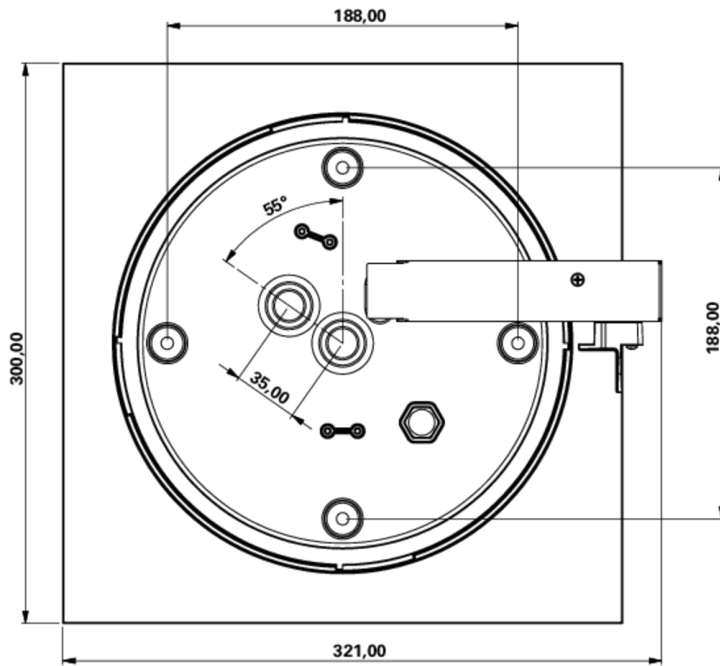
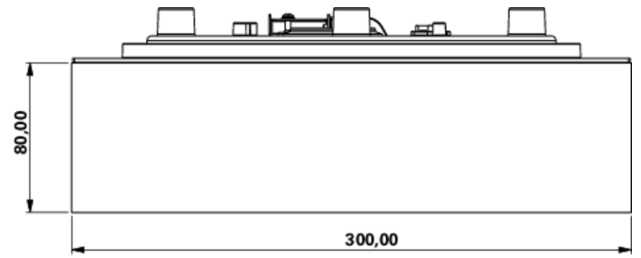
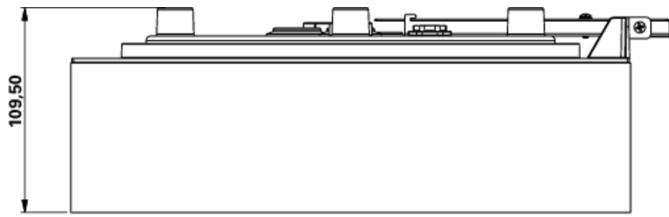
Luminaire type	Exit sign
Mounting	Wall
Recognition distance	30 m
Pictograph	acc. to Specification
Illuminant	LED
Housing material	Plastic
Housing color	white
Protection type (IP)	IP65
Impact resistance (IK)	4
Certification	CE, WEEE, D-Sign
Insulation class	2
Supply	Single Battery
Monitoring	Wireless Professional (WL)
Bridging time	3 h
Battery	6,4 V 3,3Ah Ah/
Operating mode	Standby circuit / permanent circuit
Input voltageAC	230 V
Input frequency	50 Hz

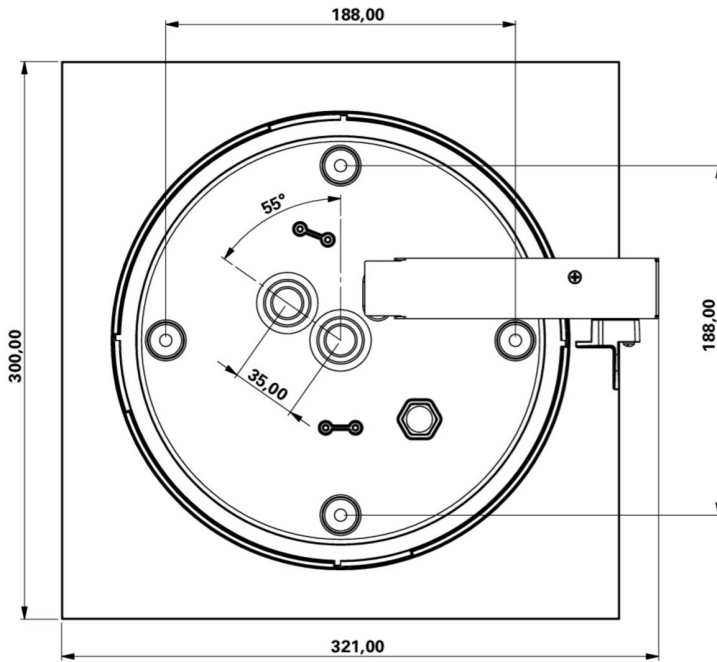
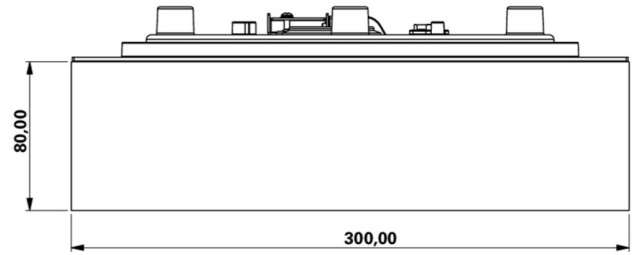
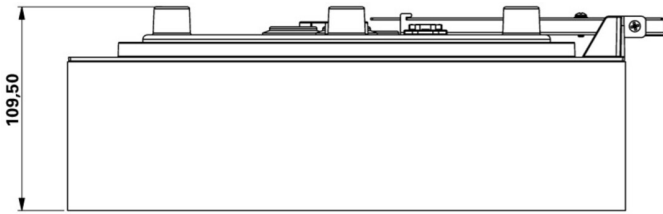


Power max.	7,5 W
Power DS	5,7 W
Power BS	0,8 W
Depth	300 mm
Width	300 mm
Height	110 mm
Weight	1.53
Weight incl. packaging	1.78
Connection cross-section	2.5 mm <sup>2</sup>
Switching input	Yes
Emergency light blocking	Yes
Battery connection	Connector
Dimming function	Yes
Luminous flux mains	250 lm
Luminous flux emergency	520 lm
Customs tariff number	94056180
EAN	4260682158444



TECHNICAL DRAWING





As of: 28.08.2024 - Subject to technical changes and errors.