



**Art.-Nr: WFXW411SC**  
**Exit sign Supply**  
**Wall, SelfControl (SC), 1 h, 30 m, IP65, Plastic, white**

Modern emergency exit sign wall luminaire in a square format.

For identifying escape and emergency routes. As an option, the luminaire can be used to identify other adjoining rooms.

The high level of protection can be ensured thanks to the easy-to-mount bayonet catch, making the luminaire suitable for varied use.

Automatic monitoring of safety luminaire with SelfControl. The requested pictogram (arrow to the right, left, up or down) is supplied as standard.



More information

[www.rp-group.com/en/item/WFXW411SC](http://www.rp-group.com/en/item/WFXW411SC)



## TECHNICAL DATA

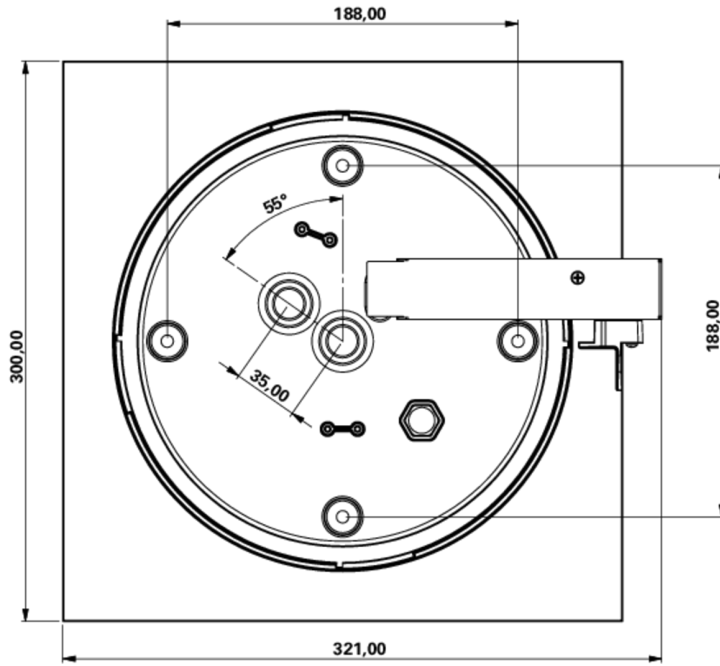
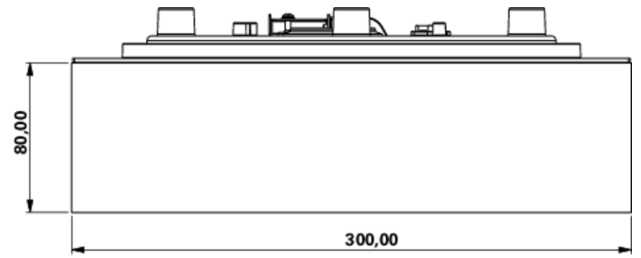
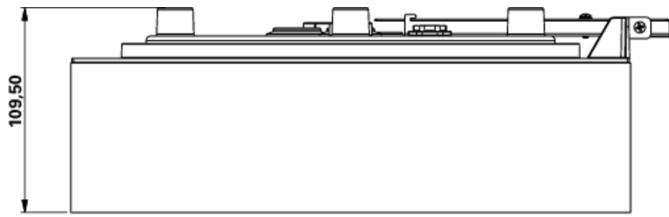
Luminaire type	Exit sign
Mounting	Wall
Recognition distance	30 m
Pictograph	acc. to Specification
Illuminant	LED
Housing material	Plastic
Housing color	white
Protection type (IP)	IP65
Impact resistance (IK)	4
Certification	CE, WEEE, D-Sign
Insulation class	2
Monitoring	SelfControl (SC)
Bridging time	1 h
Battery	6,4 V 1,6Ah Ah/
Power max.	6,4 W
Power DS	5,6 W
Power BS	0,9 W
Depth	300 mm
Width	300 mm

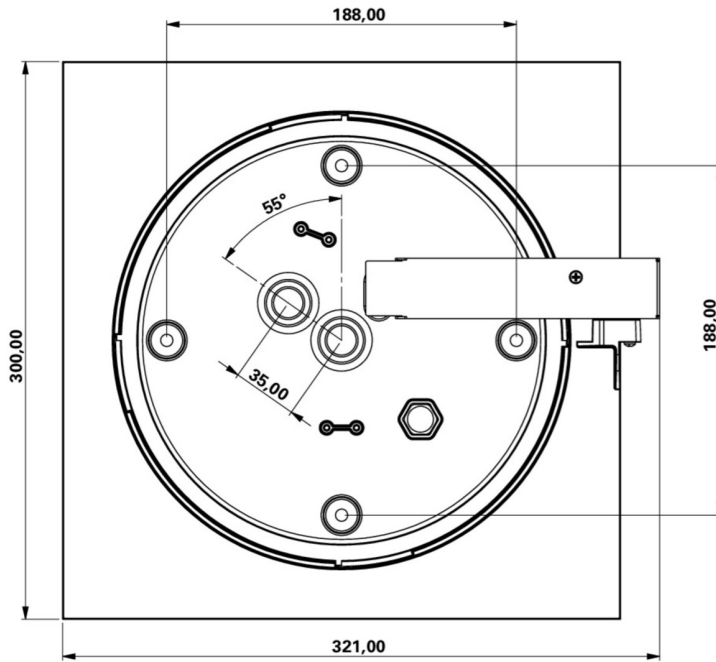
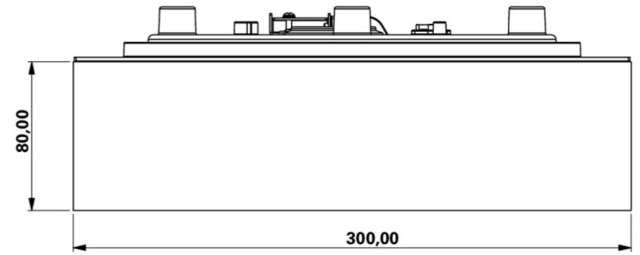
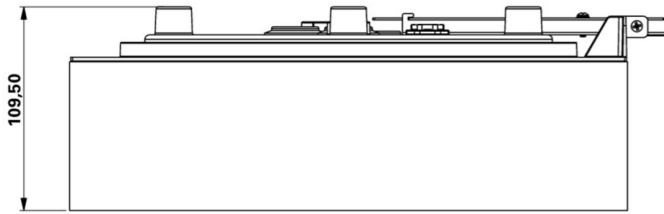


Height	110 mm
Weight	1.47
Weight incl. packaging	1.72
Customs tariff number	94056120
EAN	4260766556753



TECHNICAL DRAWING





## ACCESSORY LIST

LFP3216-SET-2AKKU - CS\_VALUE\_BatteryTechnology. Battery

As of: 28.08.2024 - Subject to technical changes and errors.