



**Art.-Nr: WFXW019**  
**Exit sign Centralised power supply systems**  
**Wall, CPS, CPS, 30 m, IP65, Plastic, white**

Exit sign in square format for marking the escape and rescue routes with installation-friendly bayonet lock. Included in delivery is a standard pictogram (right, left, top or down) as specified.

Optionally, it is possible to use the luminaire to mark other ancillary rooms.



More information



## TECHNICAL DATA

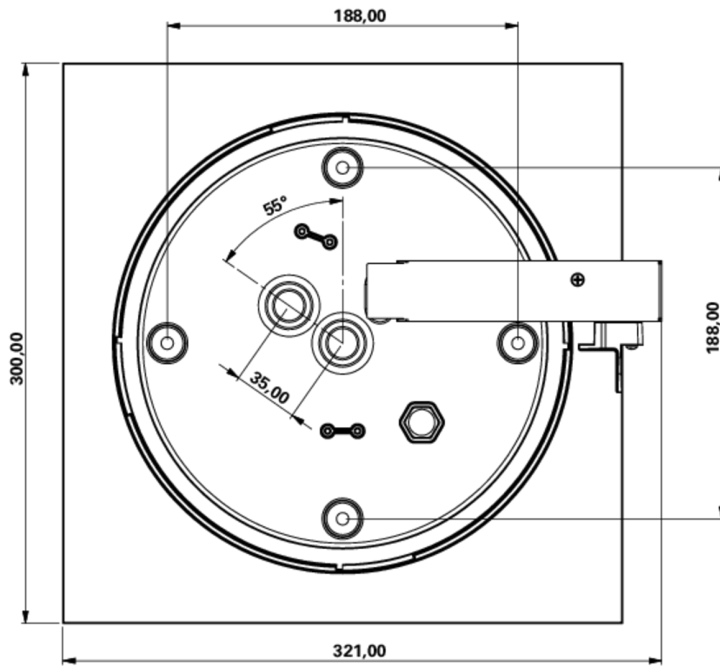
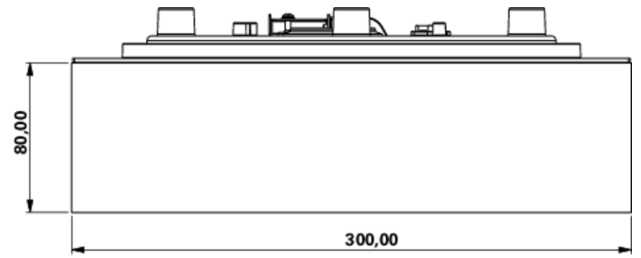
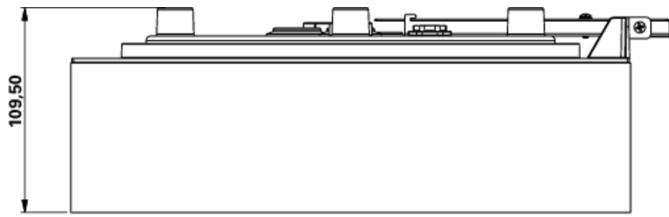
Luminaire type	Exit sign
Mounting	Wall
Recognition distance	30 m
Pictograph	acc. to Specification
Illuminant	LED
Housing material	Plastic
Housing color	white
Protection type (IP)	IP65
Impact resistance (IK)	4
Certification	CE, WEEE, D-Sign
Insulation class	2
Supply	Centralised power supply systems
Monitoring	CPS
Bridging time	CPS
Operating mode	Permanent circuit
Input voltage AC	230 V
Input frequency	50 / 60 Hz
Input voltage DC	100-254 V
Power max.	4,6 W
Power DS	4,6 W
Power BS	0 W
Ambient temperature DS	-20 °C - 40 °C

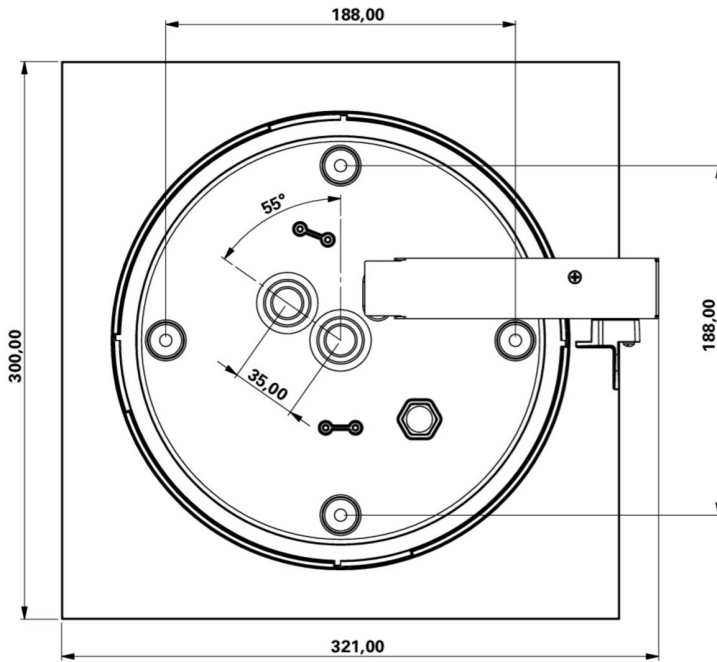
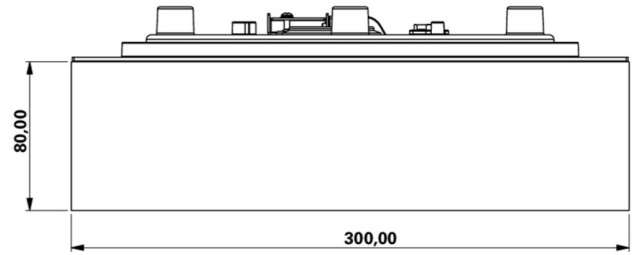
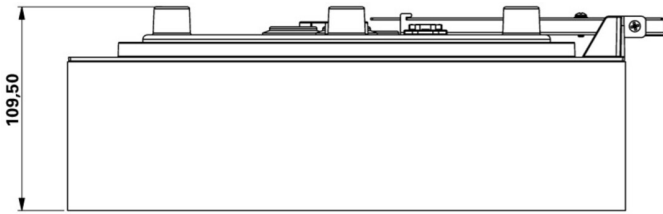


Ambient temperature BS	-20 °C - 40 °C
Depth	300 mm
Width	300 mm
Height	110 mm
Weight	1.34
Weight incl. packaging	1.59
Connection cross-section	1.5 mm <sup>2</sup>
Switching input	No
Emergency light blocking	No
Battery connection	No
Dimming function	No
Luminous flux mains	520 lm
Luminous flux emergency	520 lm
Customs tariff number	94056180
EAN	4260682158468



TECHNICAL DRAWING





As of: 17.07.2024 - Subject to technical changes and errors.