



Art.-Nr: WEF428SC
Safety luminaire
Recessed wall mounting, SelfControl (SC), 8 h, , IP20, Zinc die-cast, white

High-grade zinc die-cast safety luminaire for recessed mounting in the wall. This is intended for mounting in conventional double switch boxes where the mounting frame can be aligned to the box. The zinc die-cast ornamental cover is locked using a fastener that cannot be seen from the outside.

The radiating characteristics run parallel to the wall to help perfectly illuminate escape and emergency routes.

Automatic monitoring of safety luminaire with SelfControl.



More information

www.rp-group.com/en/item/WEF428SC



TECHNICAL DATA

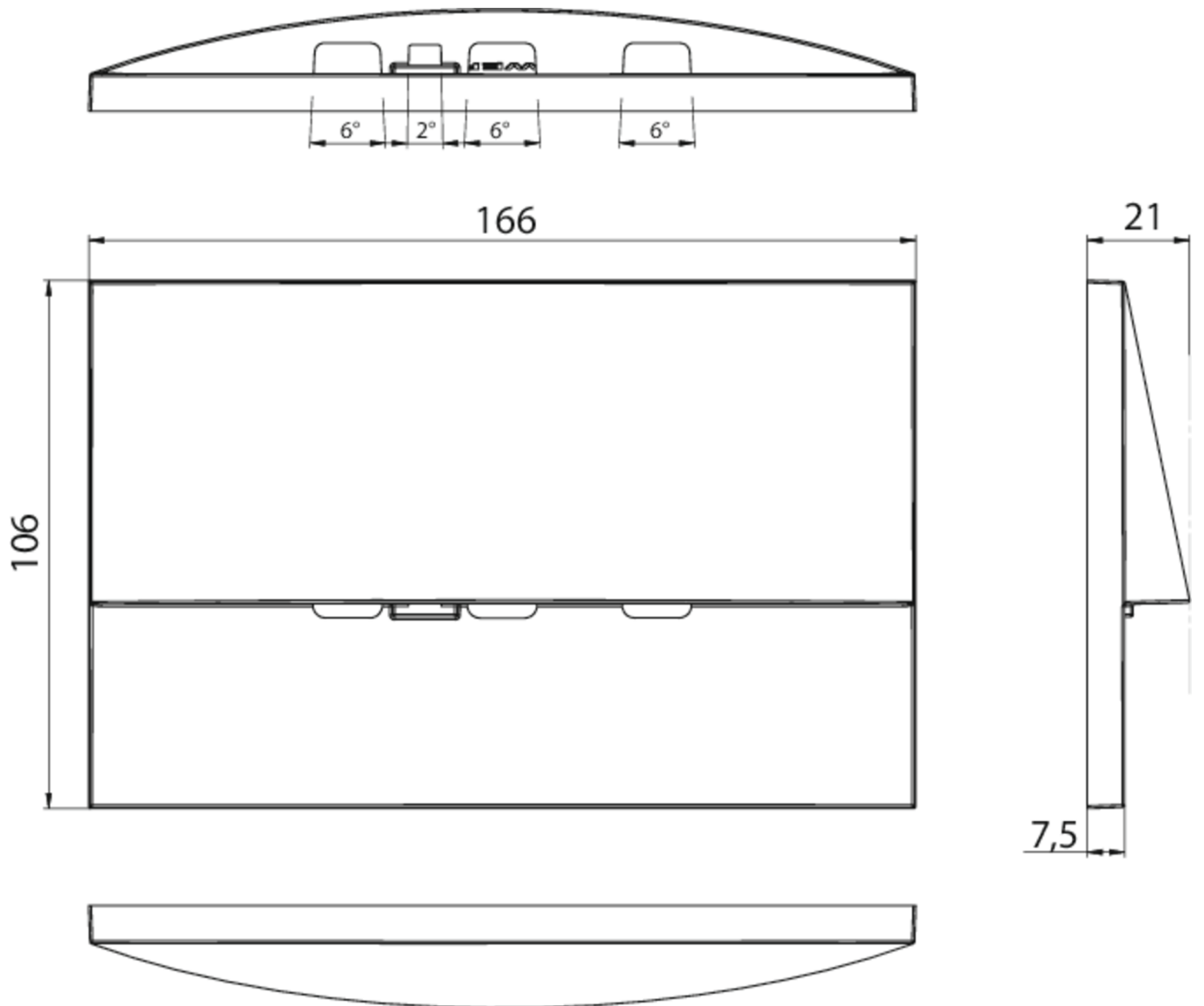
Luminaire type	Safety luminaire
Mounting	Recessed wall mounting
Pictograph	No
Illuminant	LED
Housing material	Zinc die-cast
Housing color	white
Protection type (IP)	IP20
Impact resistance (IK)	7
Certification	WEEE, CE
Insulation class	2
Monitoring	SelfControl (SC)
Bridging time	8 h
Battery	LiFePO4 6,4 V/1,2 Ah
Power max.	2,6 W
Power DS	1,7 W
Power BS	0,9 W
Ambient temperature DS	-5 °C - 40 °C
Ambient temperature BS	-5 °C - 40 °C
Depth	166 mm

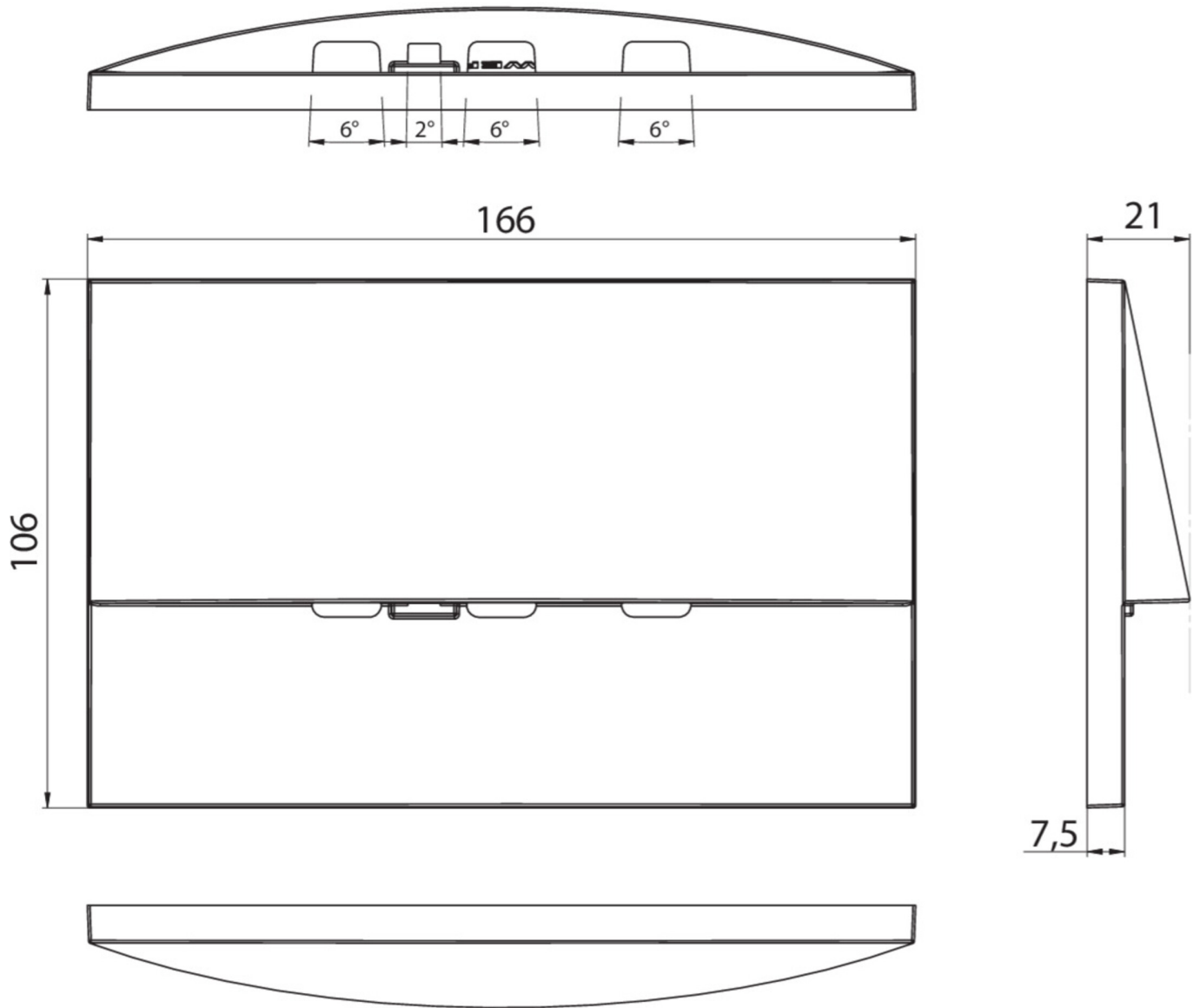


Width	21 mm
Height	106 mm
Installation length	155 mm
Installation width	82 mm
Installation height	70 mm
Weight	0.56
Weight incl. packaging	0.59
Luminous flux mains	70 lm
Luminous flux emergency	70 lm
Customs tariff number	94056180
EAN	4262483023389



TECHNICAL DRAWING





As of: 06.11.2024 - Subject to technical changes and errors.