



Art.-Nr: QCW421SC-AZ-BM-TT
General light, Safety luminaire Supply
Universal, SelfControl (SC), 1 h, , IP54, Zinc die-cast,
Anthracite

Round zinc die-cast luminaire for general-purpose lighting with integrated motion detector. To illuminate escape and emergency routes in accordance with DIN EN 60598-1, DIN EN 60598-2-22 and DIN EN 1838.

A robust variant in a timeless design, suited to indoor and outdoor use. When mounting, the emergency light LED can be swung out without the need for tools, to perfectly illuminate the escape and emergency routes when mounted on a wall, for example. By means of the motion detector, which cannot be seen from the outside, the general-purpose light is switched independently of the emergency light.

Automatic monitoring of safety luminaire with SelfControl. The luminaire is equipped with a special lithium iron phosphate battery that can also be used at low temperatures. This technology ensures that both charging and discharging of the battery takes place within the temperature range specified for the luminaire.



More information

www.rp-group.com/en/item/QCW421SC-AZ-BM-TT



TECHNICAL DATA

Luminaire type	General light, Safety luminaire
Mounting	Universal
Pictograph	No
Illuminant	LED
Housing material	Zinc die-cast
Housing color	Anthracite
Protection type (IP)	IP54
Impact resistance (IK)	10
Certification	WEEE, CE, 5 years warranty
Insulation class	1
Monitoring	SelfControl (SC)
Bridging time	1 h
Battery	/
Power max.	19,3 W

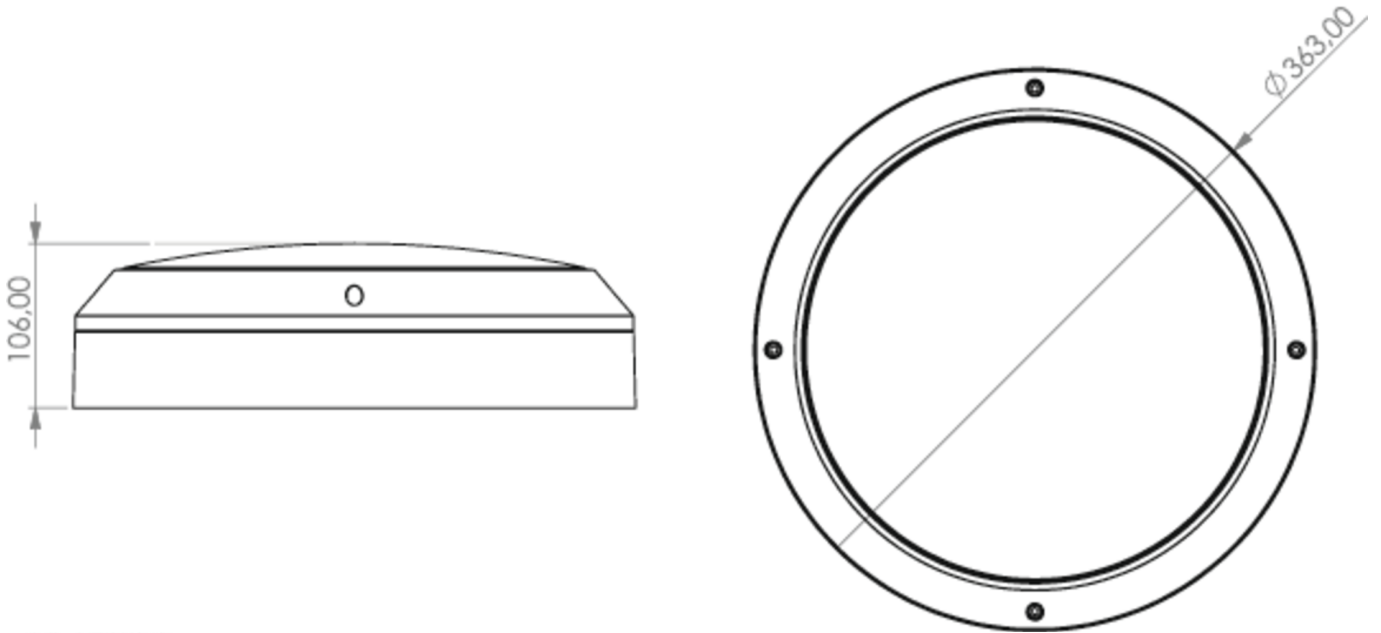


Power DS	17,7 W
Power BS	1,4 W
Ambient temperature DS	-15 °C to 40 °C
Ambient temperature BS	-15 °C to 40 °C
Height	106 mm
Diameter	363 mm
Weight	2.57
Weight incl. packaging	2.9
Luminous flux mains	1800 lm
Luminous flux emergency	470 lm
Customs tariff number	94056180
EAN	4262483025536



TECHNICAL DRAWING

QCW



QCW



As of: 18.12.2024 - Subject to technical changes and errors.