



**Art.-Nr: QCW029ML**  
**General light, Safety luminaire Centralised power supply systems**  
**Universal, Central power supply (ML), CPS, , IP54, Zinc die-cast, white**



Round zinc die-cast LED luminaire, as combined safety luminaire in a timeless design.

Alongside the general-purpose lighting, it also includes an integrated safety light function. When mounting, the emergency light LED can be swung out without the need for tools, to perfectly illuminate the escape and emergency routes when mounted on a wall, for example.

Control and monitoring via central power supply system.



More information  
[www.rp-group.com/en/item/QCW029ML](http://www.rp-group.com/en/item/QCW029ML)



## TECHNICAL DATA

Luminaire type	General light, Safety luminaire
Mounting	Universal
Pictograph	No
Illuminant	LED
Housing material	Zinc die-cast
Housing color	white
Protection type (IP)	IP54
Impact resistance (IK)	10
Certification	WEEE, CE, D-Sign
Insulation class	1
Supply	Centralised power supply systems
Monitoring	Central power supply (ML)
Bridging time	CPS
Battery	/
Operating mode	single luminaire switching
Input voltage AC	230 V
Input frequency	50 / 60 Hz
Input voltage DC	216 V

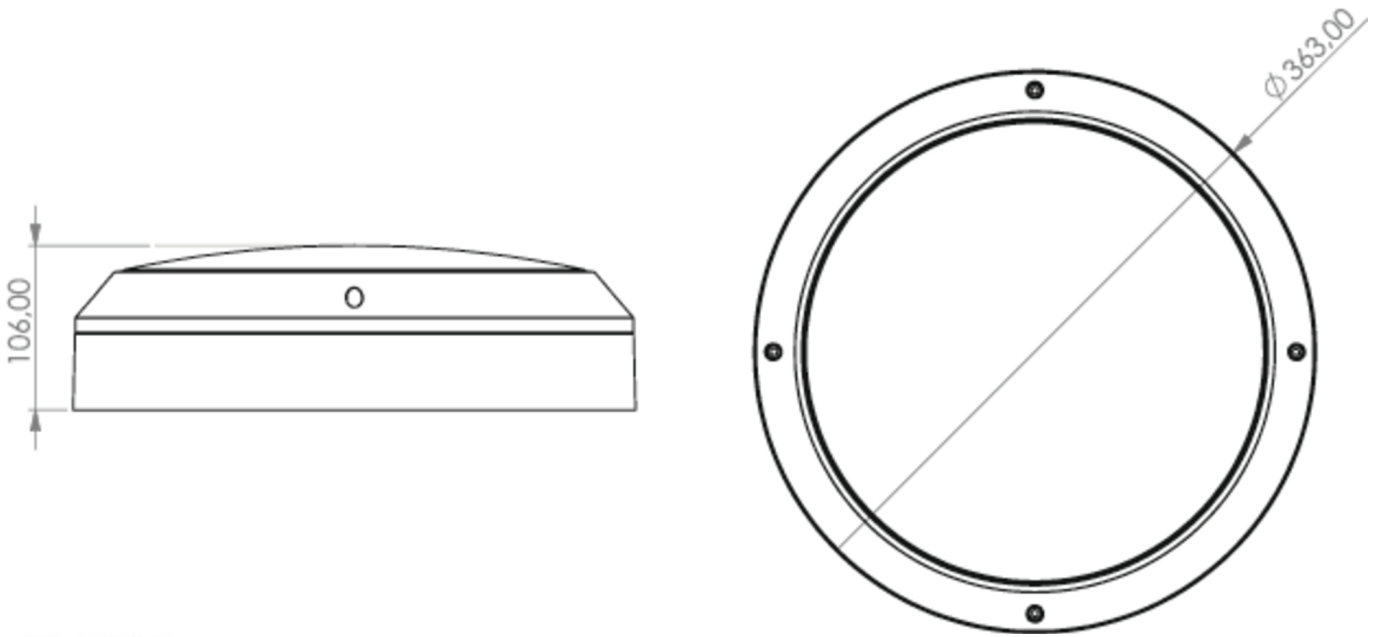


Power max.	19 W
Power DS	17 W
Power BS	1,1 W
Ambient temperature DS	-5 °C - 40 °C
Ambient temperature BS	-5 °C - 40 °C
Height	106 mm
Diameter	363 mm
Weight	2.57
Weight incl. packaging	2.9
Connection cross-section	2.5 mm <sup>2</sup>
Switching input	Yes
Emergency light blocking	No
Battery connection	No
Dimming function	Yes
Luminous flux mains	1600 lm
Luminous flux emergency	470 lm
Customs tariff number	94056180
EAN	4260682141699



TECHNICAL DRAWING

QCW



QCW





## RELATED PRODUCTS

Art.-No.	Image	Monitoring	Supply	Color	Investment	Automatic log	Maintenance level	Remote maintenance	max. luminaires	Single luminaire monitoring
QCW029ML-AZ		Central power supply (ML)	Central power supply	RAL 7016	€€€	Yes	low	Yes	1,920 per system	central

As of: 23.08.2024 - Subject to technical changes and errors.