



Art.-Nr: QAW403SC-SI
General light, Safety luminaire Single Battery
Universal, SelfControl (SC), 3 h, , IP20, Aluminium, white

Round aluminium LED luminaire, general-purpose luminaire with integrated safety light function for illuminating escape and emergency routes.

Automatic monitoring of safety luminaire with SelfControl.



More information

www.rp-group.com/en/item/QAW403SC-SI



TECHNICAL DATA

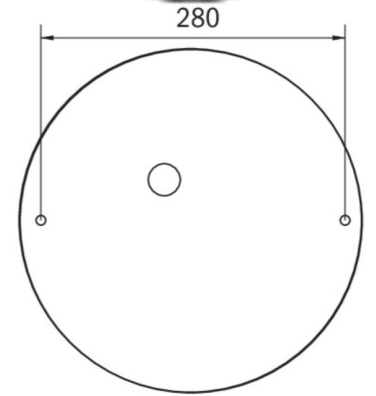
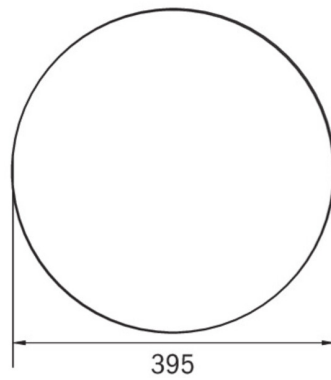
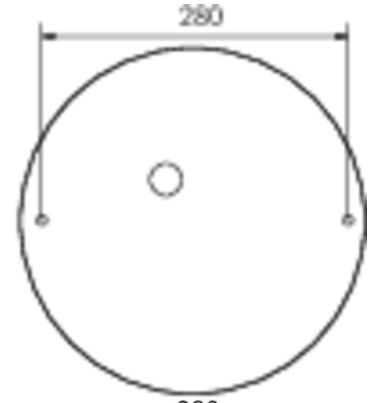
Luminaire type	General light, Safety luminaire
Mounting	Universal
Pictograph	No
Illuminant	LED
Housing material	Aluminium
Housing color	white
Protection type (IP)	IP20
Impact resistance (IK)	≥ 3
Certification	WEEE, CE
Insulation class	1
Supply	Single Battery
Monitoring	SelfControl (SC)
Bridging time	3 h
Battery	3,2 V 4,5 Ah/
Operating mode	Standby circuit / permanent circuit
Input voltageAC	230 V
Input frequency	50 / 60 Hz
Power max.	30 W
Power DS	28 W



Power BS	2 W
Ambient temperature DS	-5 °C - 40 °C
Ambient temperature BS	-5 °C - 40 °C
Height	113 mm
Diameter	395 mm
Weight	0.787
Weight incl. packaging	1.107
Connection cross-section	1.5 mm ²
Switching input	Yes
Emergency light blocking	No
Battery connection	Connector
Dimming function	No
Luminous flux mains	2300 lm
Luminous flux emergency	360 lm
Customs tariff number	94056180
EAN	4260682159687



TECHNICAL DRAWING



As of: 23.08.2024 - Subject to technical changes and errors.