



Art.-Nr: QAW029ML-BM
General light, Safety luminaire Centralised power supply systems
Universal, Central power supply (ML), CPS, , IP20, Aluminium, Anodised aluminium



Round metal luminaire for general lighting and illumination of escape and rescue routes according to DIN EN 60598-1, DIN EN 60598-2-22 and DIN EN 1838.

There is an integrated emergency light inside the luminaire, which is supplied by the central battery system. In mains operation, the general light with 26W, 2,300lm, 4000 Kelvin is switched via the integrated motion detector.

Control and monitoring via central power supply system.



More information

www.rp-group.com/en/item/QAW029ML-BM



TECHNICAL DATA

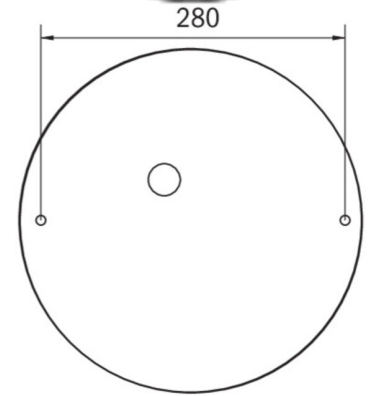
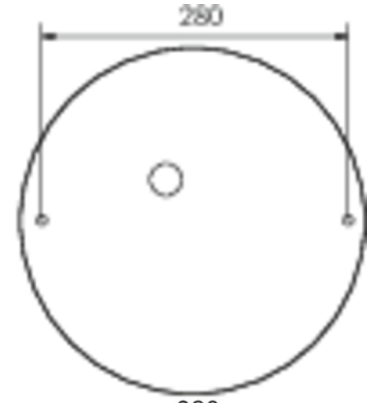
Luminaire type	General light, Safety luminaire
Mounting	Universal
Pictograph	No
Illuminant	LED
Housing material	Aluminium
Housing color	Anodised aluminium
Protection type (IP)	IP20
Impact resistance (IK)	≥ 3
Certification	WEEE, CE
Insulation class	1
Supply	Centralised power supply systems
Monitoring	Central power supply (ML)
Bridging time	CPS
Battery	/
Operating mode	single luminaire switching
Input voltage AC	230 V
Input frequency	50 / 60 Hz
Input voltage DC	216 V
Power max.	30,6 W



Power DS	27,2 W
Power BS	1,2 W
Ambient temperature DS	-20 °C - 30 °C
Ambient temperature BS	-20 °C - 40 °C
Height	113 mm
Diameter	395 mm
Weight	0.7
Weight incl. packaging	1.02
Connection cross-section	2.5 mm ²
Switching input	No
Emergency light blocking	No
Battery connection	No
Dimming function	Yes
Luminous flux mains	2300 lm
Luminous flux emergency	360 lm
Customs tariff number	94056180
EAN	4260766550584



TECHNICAL DRAWING



As of: 23.08.2024 - Subject to technical changes and errors.