



**Art.-Nr: QAW009-SIWW-UW**  
**General light, Safety luminaire Centralised power supply systems**  
**Universal, CPS, CPS, , IP20, Aluminium, Anodised aluminium**

Round metal luminaire for general lighting and the lighting of escape and rescue route according to DIN EN 60598-1, DIN EN 60598-2-22 and EN 1838.

This luminaire is designed for use with central battery systems. The LED-luminaire is operated with 26W, 2.300lm and light colour 3000 Kelvin. On mains failure the central battery system continues the supply of the emergency luminaire. On mains operation or failure the luminaire, supplied by the central battery system, operates at 100% luminous flux.



[More information](#)



## TECHNICAL DATA

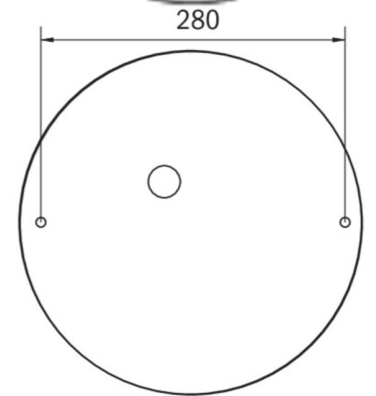
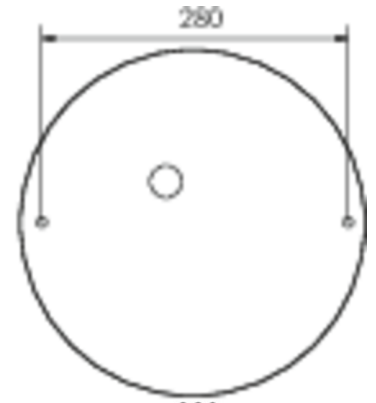
Luminaire type	General light, Safety luminaire
Mounting	Universal
Pictograph	No
Illuminant	LED
Housing material	Aluminium
Housing color	Anodised aluminium
Protection type (IP)	IP20
Impact resistance (IK)	≥ 3
Certification	WEEE, CE
Insulation class	1
Supply	Centralised power supply systems
Monitoring	CPS
Bridging time	CPS
Operating mode	Standby circuit / permanent circuit
Input voltage AC	230 V
Input frequency	50 Hz
Input voltage DC	216 V
Power max.	26 W
Power DS	26 W



Power BS	0 W
Ambient temperature DS	-20 °C - 30 °C
Ambient temperature BS	-20 °C - 40 °C
Height	113 mm
Diameter	395 mm
Weight	0.75
Weight incl. packaging	1.07
Connection cross-section	1.5 mm <sup>2</sup>
Switching input	No
Emergency light blocking	No
Battery connection	No
Dimming function	No
Luminous flux mains	2300 lm
Luminous flux emergency	2300 lm
Customs tariff number	94056180
EAN	4260682140951



TECHNICAL DRAWING



As of: 17.07.2024 - Subject to technical changes and errors.