



Art.-Nr: PMD423WL
Exit sign Self-contained
Surface mounting, Wireless Professional (WL), 3 h, 20 m,
IP65, Polycarbonate, White

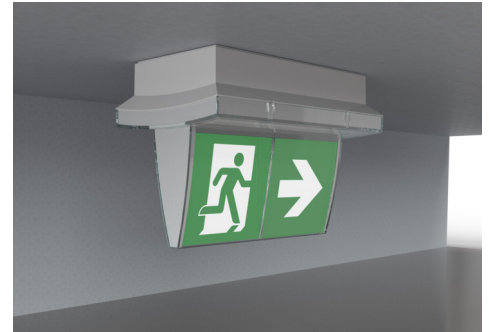
Plastic emergency exit sign luminaire with trapezoid surround.

To help with mounting, levelling screws are integrated to compensate for uneven surfaces.

The luminaire can be mounted by fitting on the wall and ceiling as well as fitting in the ceiling in conjunction with the mounting frame available.

The set of pictograms is inserted on the inside and secured without the use of solvents.

Wireless central control and monitoring for large installations of up to 50,000 luminaires with Wireless Professional. Planning certainty is provided by tool-free, variable use of the pictograms on site. A set of pictograms corresponding to DIN ISO 7010 (2x man in the door and 2 straight arrows) are supplied as standard.



More information

www.rp-group.com/en/item/PMD423WL



TECHNICAL DATA

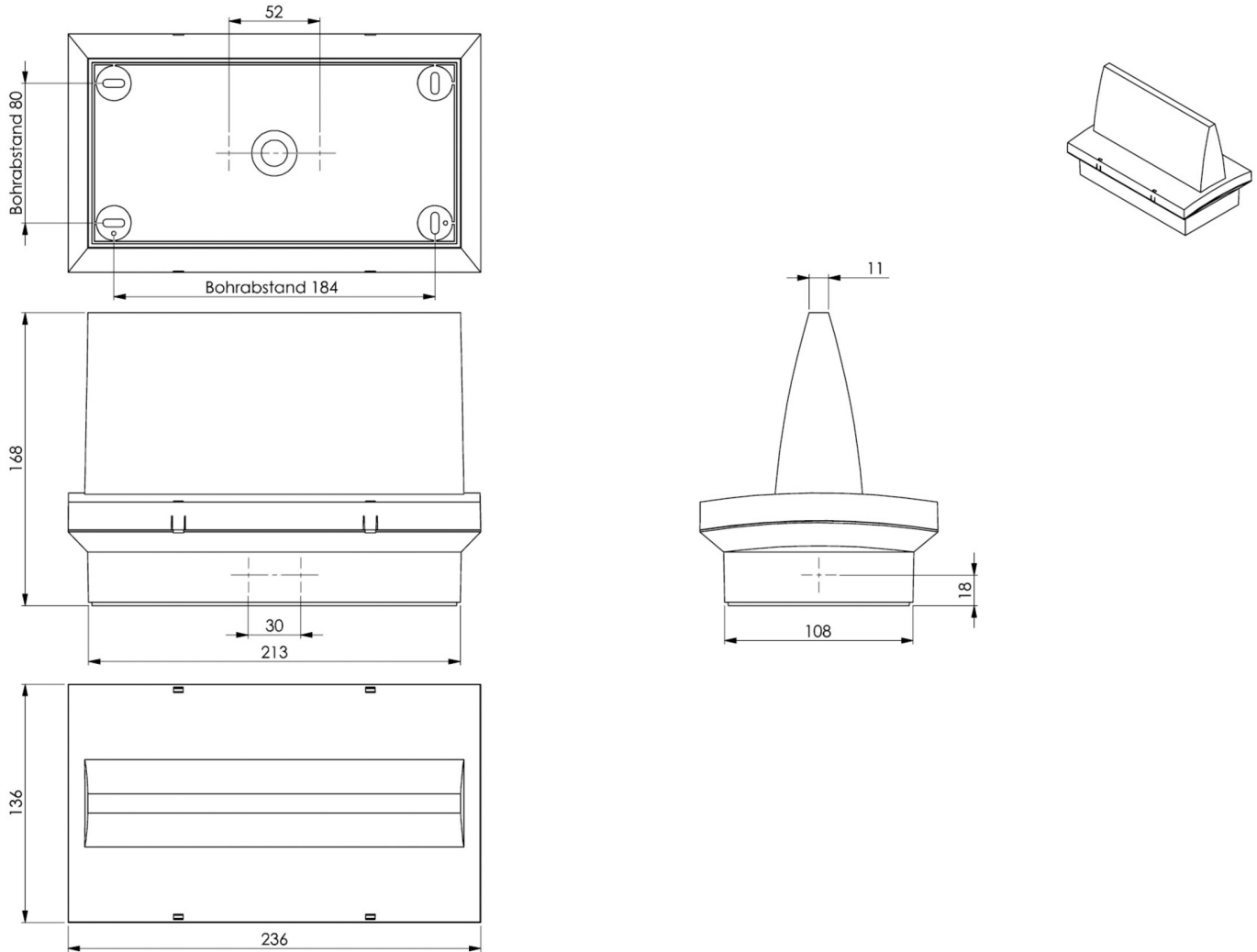
Luminaire type	Exit sign
Mounting	Surface mounting
Recognition distance	20 m
Pictograph	Set
Illuminant	LED
Housing material	Polycarbonate
Housing color	White
Protection type (IP)	IP65
Impact resistance (IK)	≥ 3
Certification	WEEE, CE, 5 years warranty, HACCP
Insulation class	2
Supply	Self-contained
Monitoring	Wireless Professional (WL)
Bridging time	3 h
Battery	LiFePO4 6,4 V/3,3 Ah



Operating mode	Non-maintained / maintained
Input voltageAC	230 V
Input frequency	50 Hz
Power max.	7,5 W
Power maintained	5,7 W
Power non-maintained	0,8 W
Ambient temperature maintained mode	-5 °C to 40 °C
Ambient temperature non-maintained mode	-5 °C to 40 °C
Depth	168 mm
Width	236 mm
Height	136 mm
Weight	1.06
Weight incl. packaging	1.16
Connection cross-section	2.5 mm ²
Switching input	Yes
Emergency light blocking	Yes
Battery connection	Connector
Dimming function	Yes
Luminous flux mains	250 lm
Luminous flux emergency	520 lm
Customs tariff number	94056120
EAN	4260766557224



TECHNICAL DRAWING



As of: 31.03.2025 - Subject to technical changes and errors.