



Art.-Nr: PMD423SC-TT
Exit sign Supply
Ceiling, SelfControl (SC), 3 h, 20 m, IP65, Plastic, white

Plastic emergency exit sign luminaire with trapezoid surround.

To help with mounting, levelling screws are integrated to compensate for uneven surfaces.

The luminaire can be mounted by fitting on the wall and ceiling as well as fitting in the ceiling in conjunction with the mounting frame available.

The set of pictograms is inserted on the inside and secured without the use of solvents.

Automatic monitoring of safety luminaire with SelfControl. The set of pictograms (MTL, MTR and 2 straight arrows) is supplied as standard.



More information

www.rp-group.com/en/item/PMD423SC-TT



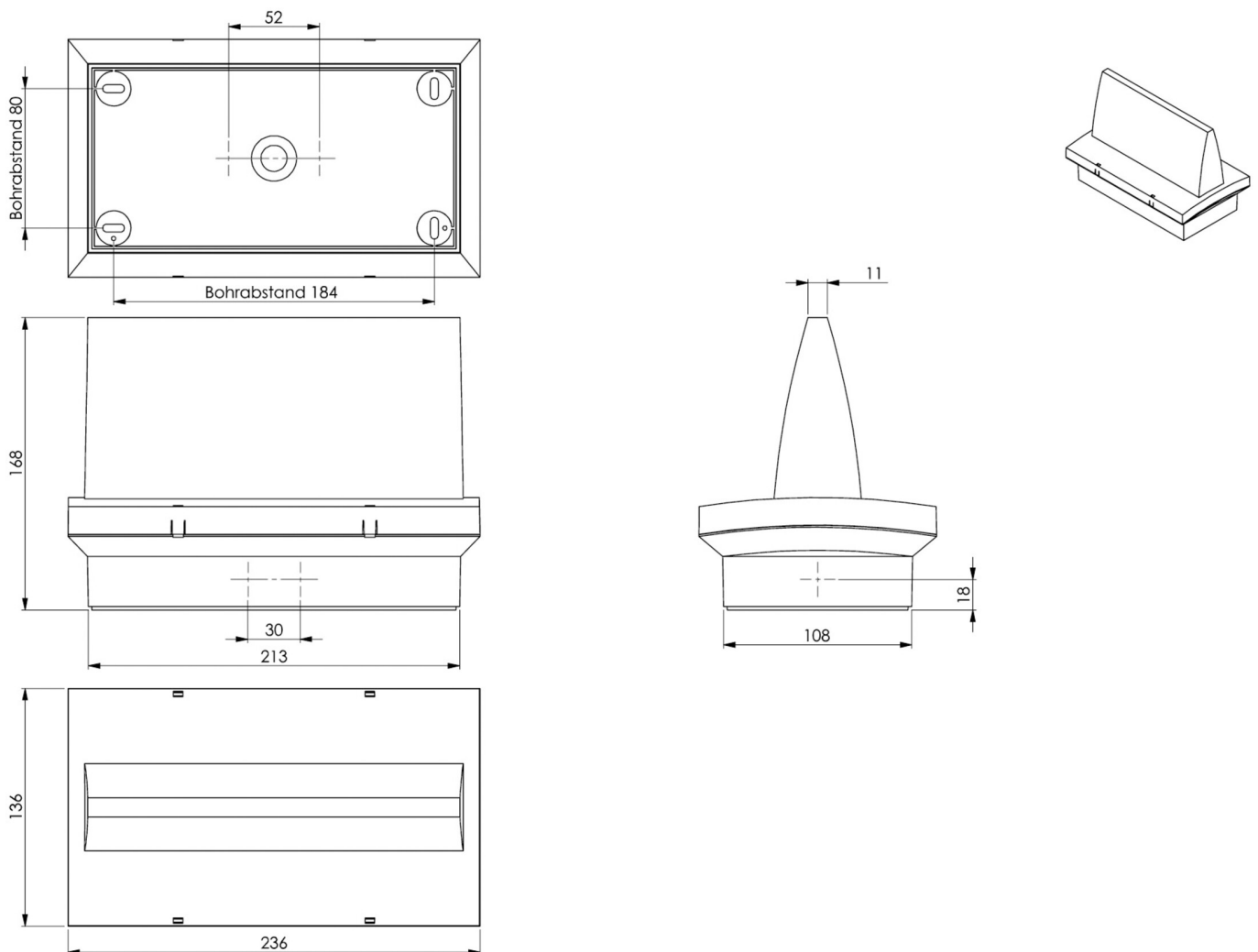
TECHNICAL DATA

Luminaire type	Exit sign
Mounting	Ceiling
Recognition distance	20 m
Pictograph	Set
Housing material	Plastic
Housing color	white
Protection type (IP)	IP65
Impact resistance (IK)	≥ 3
Certification	WEEE, CE, D-Sign
Insulation class	2
Monitoring	SelfControl (SC)
Bridging time	3 h
Battery	/
Power max.	6,7 W
Power DS	5,4 W
Power BS	0,9 W
Ambient temperature DS	-15 °C - 40 °C
Ambient temperature BS	-15 °C - 40 °C



Depth	168 mm
Width	236 mm
Height	136 mm
Weight	0.87
Weight incl. packaging	0.97
Luminous flux mains	500 lm
Luminous flux emergency	500 lm
Customs tariff number	94056180
EAN	4260766557743

TECHNICAL DRAWING



As of: 23.08.2024 - Subject to technical changes and errors.