



**Art.-Nr: PMD421WL**  
**Exit sign Single Battery**  
**Ceiling, Wireless Professional (WL), 1 h, 20 m, IP65, Plastic, white**

Plastic emergency exit sign luminaire with trapezoid surround.

To help with mounting, levelling screws are integrated to compensate for uneven surfaces.

The luminaire can be mounted by fitting on the wall and ceiling as well as fitting in the ceiling in conjunction with the mounting frame available.

The set of pictograms is inserted on the inside and secured without the use of solvents.

Wireless central control and monitoring for large installations of up to 50,000 luminaires with Wireless Professional. The set of pictograms (MTL, MTR and 2 straight arrows) is supplied as standard.



More information

[www.rp-group.com/en/item/PMD421WL](http://www.rp-group.com/en/item/PMD421WL)



## TECHNICAL DATA

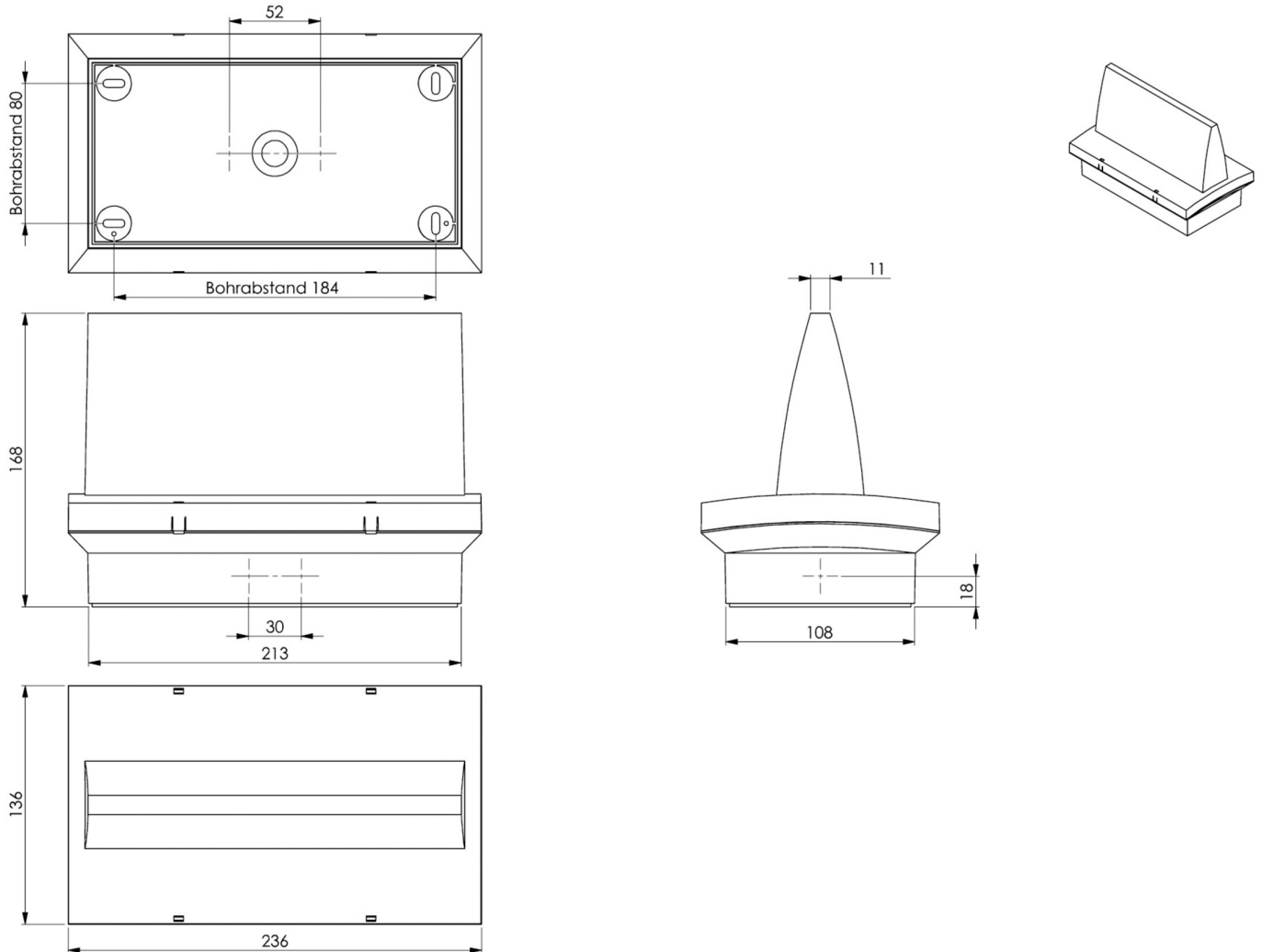
Luminaire type	Exit sign
Mounting	Ceiling
Recognition distance	20 m
Pictograph	Set
Housing material	Plastic
Housing color	white
Protection type (IP)	IP65
Impact resistance (IK)	≥ 3
Certification	WEEE, CE, D-Sign
Insulation class	2
Supply	Single Battery
Monitoring	Wireless Professional (WL)
Bridging time	1 h
Battery	6,4 V 1,2 Ah/
Operating mode	Standby circuit / permanent circuit
Input voltageAC	230 V



Input frequency	50 Hz
Power max.	7,5 W
Power DS	5,7 W
Power BS	0,8 W
Ambient temperature DS	-5 °C - 40 °C
Ambient temperature BS	-5 °C - 40 °C
Depth	168 mm
Width	236 mm
Height	136 mm
Weight	1.02
Weight incl. packaging	1.12
Connection cross-section	2.5 mm <sup>2</sup>
Switching input	Yes
Emergency light blocking	Yes
Battery connection	Connector
Dimming function	Yes
Luminous flux mains	520 lm
Luminous flux emergency	460 lm
Customs tariff number	94056120
EAN	4260766557217



## TECHNICAL DRAWING



As of: 23.08.2024 - Subject to technical changes and errors.