



Art.-Nr: PMD401WL
Exit sign Single Battery
Ceiling, Wireless Professional (WL), 1 h, 20 m, IP65, Plastic, white

Plastic emergency exit sign luminaire with trapezoid surround.

To help with mounting, levelling screws are integrated to compensate for uneven surfaces.

The luminaire can be mounted by fitting on the wall and ceiling as well as fitting in the ceiling in conjunction with the mounting frame available.

The set of pictograms is inserted on the inside and secured without the use of solvents.

Wireless central control and monitoring for large installations of up to 50,000 luminaires with Wireless Professional. The set of pictograms (MTL, MTR and 2 straight arrows) is supplied as standard.



More information

www.rp-group.com/en/item/PMD401WL



TECHNICAL DATA

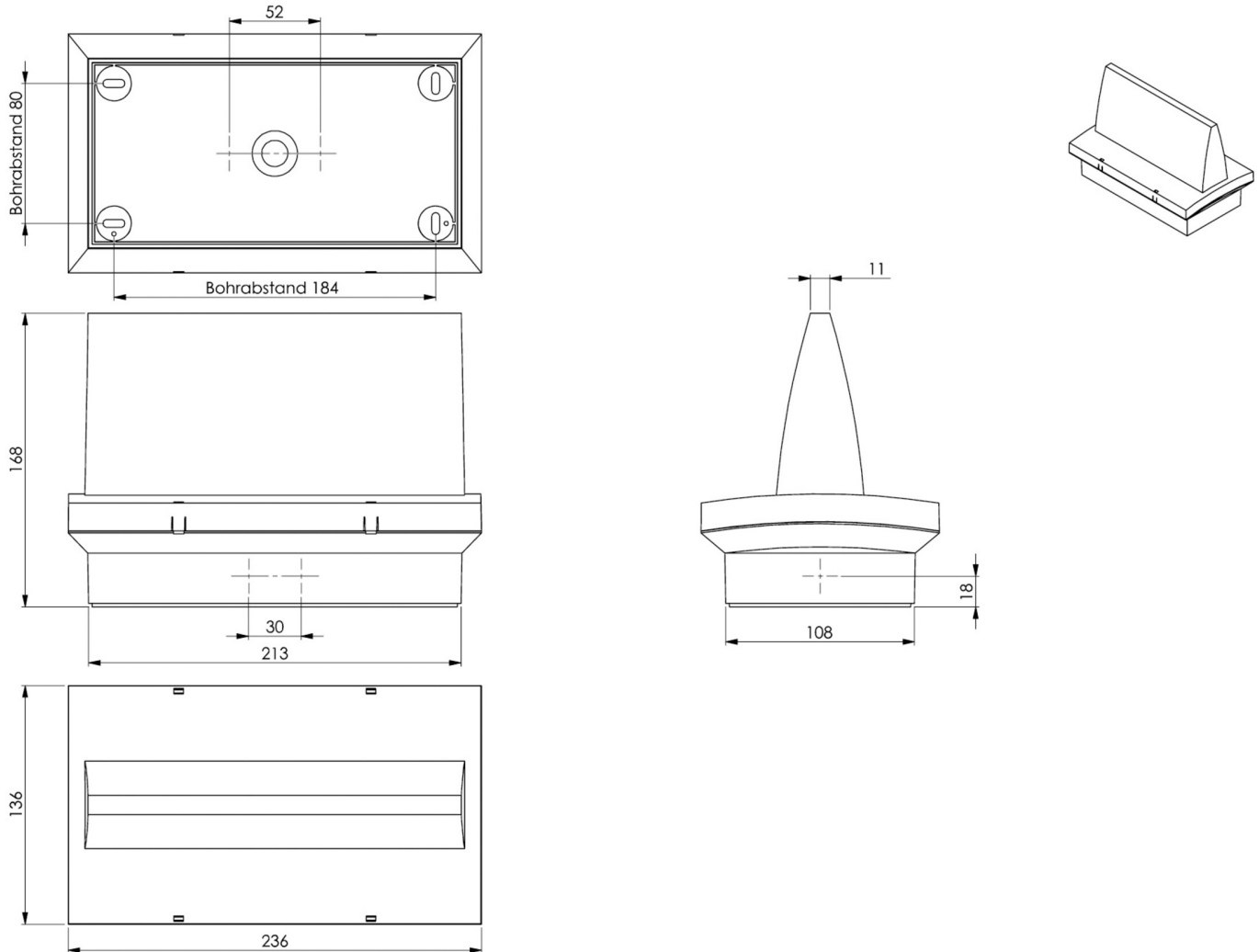
Luminaire type	Exit sign
Mounting	Ceiling
Recognition distance	20 m
Pictograph	Set
Illuminant	LED
Housing material	Plastic
Housing color	white
Protection type (IP)	IP65
Impact resistance (IK)	≥ 3
Certification	WEEE, CE, D-Sign
Insulation class	2
Supply	Single Battery
Monitoring	Wireless Professional (WL)
Bridging time	1 h
Battery	3,2V V 0,57 Ah/
Operating mode	Standby circuit / permanent circuit




Input voltageAC	230 V
Input frequency	50 Hz
Power max.	3,4 W
Power DS	2,9 W
Power BS	0,8 W
Ambient temperature DS	-5 °C - 40 °C
Ambient temperature BS	-5 °C - 40 °C
Depth	168 mm
Width	236 mm
Height	136 mm
Weight	0.89
Weight incl. packaging	0.99
Connection cross-section	2.5 mm ²
Switching input	Yes
Emergency light blocking	Yes
Battery connection	Connector
Dimming function	Yes
Customs tariff number	94056120
EAN	4260682158956



TECHNICAL DRAWING



RELATED PRODUCTS

Art.-No.	Image	Monitoring	Supply	Color	Investment	Automatic log	Maintenance level	Remote maintenance	max. luminaires	Single luminaire monitoring
PMD001SC		SelfControl (SC)	Single battery	RAL 9003	€	no	high	no	unlimited	itself

As of: 23.08.2024 - Subject to technical changes and errors.