



**Art.-Nr: PFD519CC**  
**Exit sign Centralised power supply systems**  
**Ceiling, CoreCompact 24, CPS, 24 m, IP65, Plastic, white**

Plastic luminaire for the marking and lighting of escape and rescue routes according to DIN EN 60598-1, DIN EN 60598-2-22 and EN 1838. For single or double sided labeling. Available for central power systems or as self-contained emergency luminaire.



More information



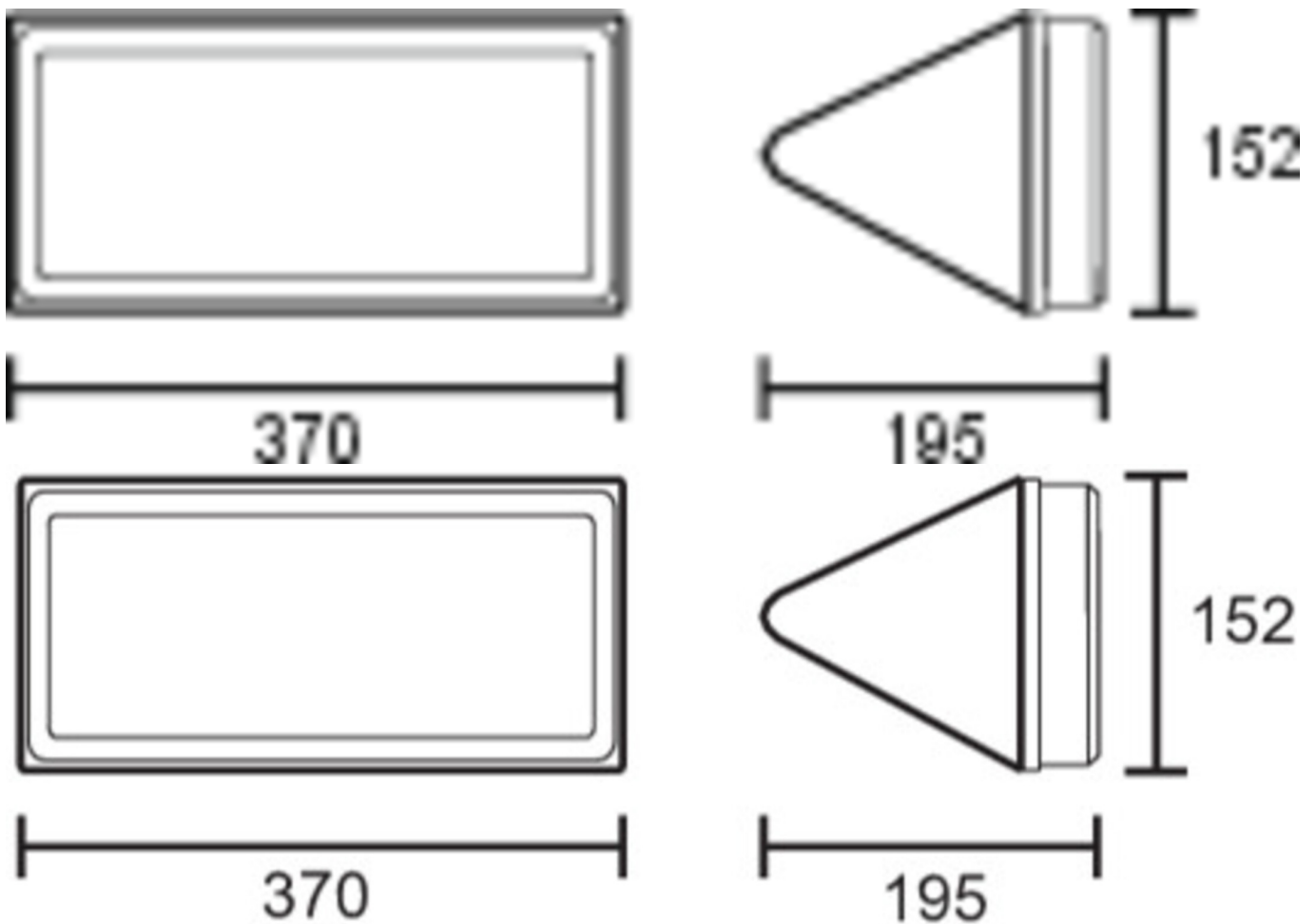
## TECHNICAL DATA

Luminaire type	Exit sign
Mounting	Ceiling
Recognition distance	24 m
Pictograph	Set
Illuminant	LED
Housing material	Plastic
Housing color	white
Protection type (IP)	IP65
Impact resistance (IK)	6
Certification	WEEE, CE, D-Sign
Insulation class	3
Supply	Centralised power supply systems
Monitoring	CoreCompact 24
Bridging time	CPS
Operating mode	Standby circuit / permanent circuit
Input voltageAC	24 V
Power max.	4,2 W
Power DS	4,2 W
Power BS	0,4 W
Ambient temperature DS	-5 °C - 40 °C
Ambient temperature BS	-5 °C - 40 °C
Depth	152 mm
Width	370 mm



Height	195 mm
Weight	0.85
Weight incl. packaging	0.98
Connection cross-section	2.5 mm <sup>2</sup>
Switching input	No
Emergency light blocking	No
Battery connection	No
Luminous flux mains	335 lm
Luminous flux emergency	335 lm
Customs tariff number	94056120
EAN	4260682157492

## TECHNICAL DRAWING





## ACCESSORY LIST

2PW-EB -

2DW-EB -

DSA -

PFER -

## RELATED PRODUCTS

Art.-No.	Image	Monitoring	Supply	Color	Investment	Automatic log	Maintenance level	Remote maintenance	max. luminaires	Single luminaire monitoring
PFD019ML		ML	Central power supply		€€€	Yes	low	Yes	1,920 per system	central
PFD029ML		ML	Central power supply		€€€	Yes	low	Yes	1,920 per system	central

As of: 22.07.2024 - Subject to technical changes and errors.