



Art.-Nr: PFD411SC

Exit sign

Recessed mounting, SelfControl (SC), 1 h, 24 m, IP65, Plastic, white

Trapezoid, plastic emergency exit sign luminaire for fitting on the ceiling for inscription on one or two sides with self-adhesive pictogram.

Automatic monitoring of safety luminaire with SelfControl. The innovative integrated lens holder with a rapid fitting fixture permits the flexible use of various lens types. Using the right lens allows the distribution of light to be matched perfectly to the application and simplifies illumination which satisfies all relevant standards. A round lens and hall lens are supplied with every luminaire, allowing it to be adapted perfectly to the respective mounting situation. Other lenses, such as a spotlight lens, beam lens or H lens, are available as options.



More information

www.rp-group.com/en/item/PFD411SC



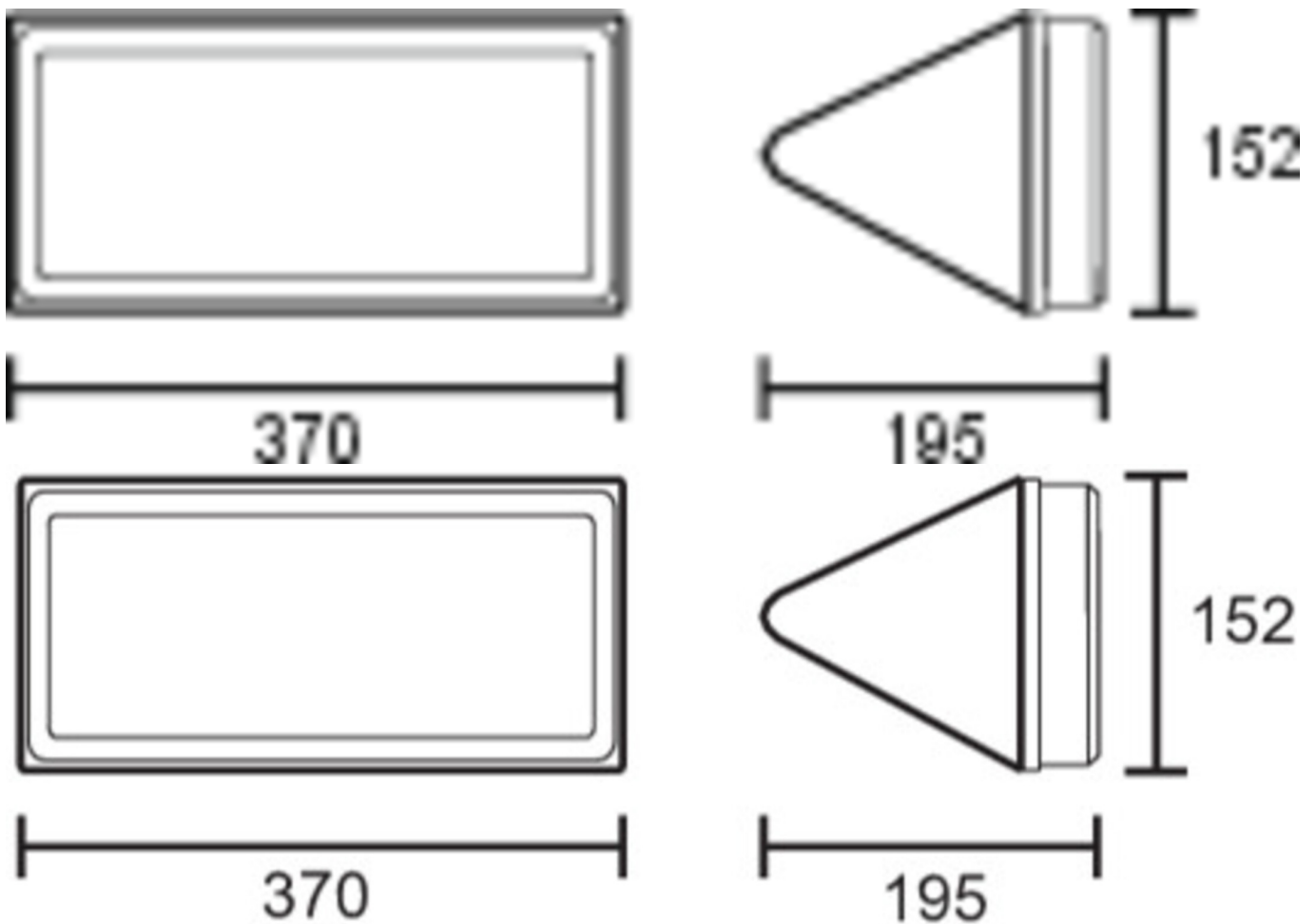
TECHNICAL DATA

Luminaire type	Exit sign
Mounting	Recessed mounting
Recognition distance	24 m
Pictograph	Set
Illuminant	LED
Housing material	Plastic
Housing color	white
Protection type (IP)	IP65
Impact resistance (IK)	6
Certification	WEEE, CE, D-Sign
Insulation class	1
Monitoring	SelfControl (SC)
Bridging time	1 h
Battery	LiFePO4 6,4 V/1,6 Ah
Power max.	4,2 W
Power DS	3,3 W
Power BS	0,9 W



Ambient temperature DS	-5 °C - 40 °C
Ambient temperature BS	-5 °C - 40 °C
Depth	152 mm
Width	370 mm
Height	195 mm
Weight	0.95
Weight incl. packaging	1.08
Luminous flux mains	190 lm
Luminous flux emergency	190 lm
Customs tariff number	94056120
EAN	4260766553479

TECHNICAL DRAWING





ACCESSORY LIST

2PW-EB - Pendant
2DW-EB -
DSA - Wire suspension
PFER -

As of: 29.10.2024 - Subject to technical changes and errors.