



Art.-Nr: MMW401SC
Exit sign Supply
Wall, SelfControl, 1 h, 21 m, IP40, Zinc die-cast, Anthracite

The advantages of the LED combined with a compact shape come together to a modern design. The high quality slim body is made from zinc-aluminium die-cast. The variable use and toolless change of pictograms provides planning security on site.

LED escape route luminaire in accordance with DIN EN 60598-1, EN 60598-2-22, EN ISO 7010 and DIN EN 1838.

Optional with DUO-LED for additional light output downwards.



More information



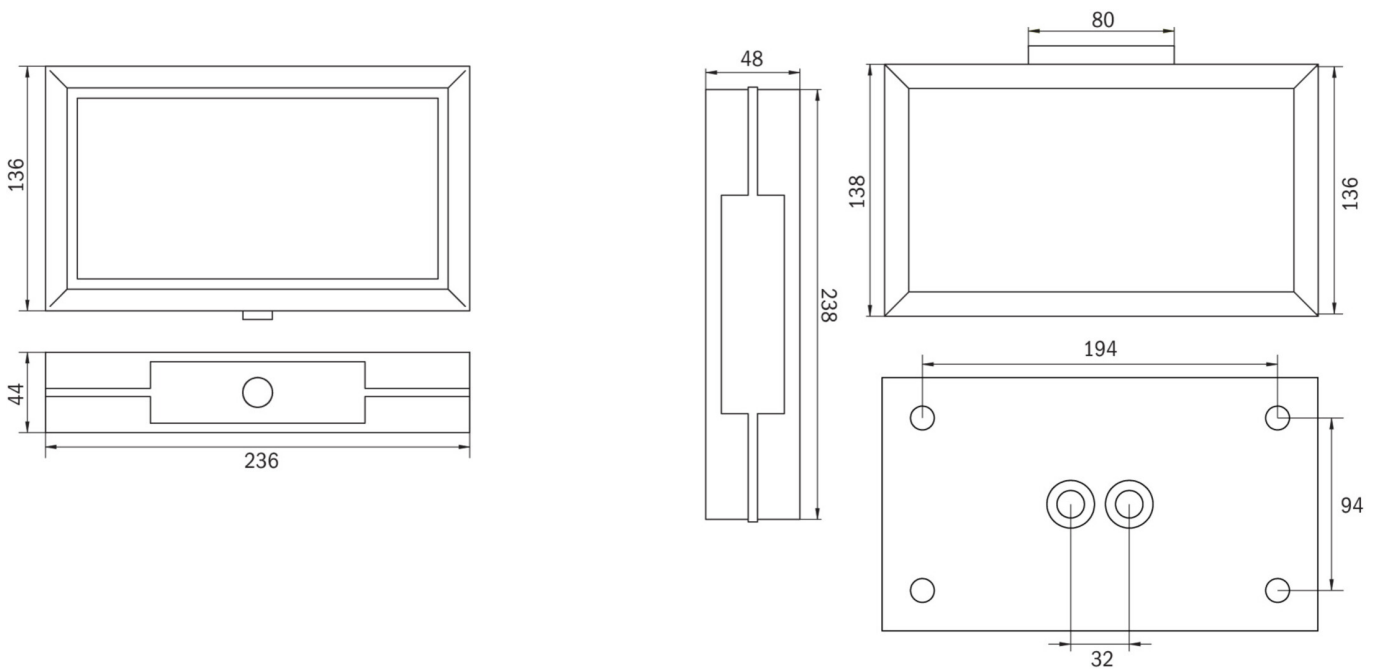
TECHNICAL DATA

Luminaire type	Exit sign
Mounting	Wall
Recognition distance	21 m
Pictograph	Set
Illuminant	LED
Housing material	Zinc die-cast
Housing color	Anthracite
Protection type (IP)	IP40
Impact resistance (IK)	≥ 3
Certification	WEEE, CE
Insulation class	1
Monitoring	SelfControl
Bridging time	1 h
Battery	LFP3212.K-SET-2AKKU
Power max.	3,9 W
Power DS	3,0 W
Power BS	0,9 W
Ambient temperature DS	-5 °C - 40 °C
Ambient temperature BS	-5 °C - 40 °C
Depth	48 mm
Width	236 mm



Height	148 mm
Weight	0.22
Weight incl. packaging	0.22
Customs tariff number	94056180
EAN	4260766556579

TECHNICAL DRAWING



MMW_IP65

As of: 16.07.2024 - Subject to technical changes and errors.