



Art.-Nr: MMD408SC

Exit sign

Recessed mounting, SelfControl (SC), 8 h, 21 m, IP40, Zinc die-cast, white

Slim, high-quality, zinc die-cast emergency exit sign luminaire with a modern design for ceiling mounting. Suited to inscription on one or two sides.

Automatic monitoring of safety luminaire with SelfControl. The innovative integrated lens holder with a rapid fitting fixture permits the flexible use of various lens types. Using the right lens allows the distribution of light to be matched perfectly to the application and simplifies illumination which satisfies all relevant standards. A round lens and hall lens are supplied with every luminaire, allowing it to be adapted perfectly to the respective mounting situation. Other lenses, such as a spotlight lens, beam lens or H lens, are available as options.



More information

www.rp-group.com/en/item/MMD408SC



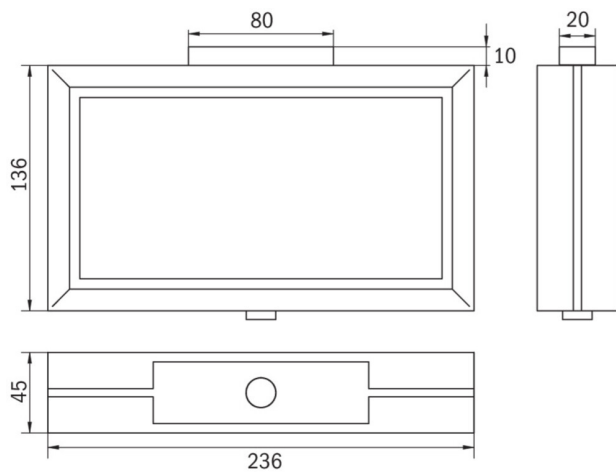
TECHNICAL DATA

Luminaire type	Exit sign
Mounting	Recessed mounting
Recognition distance	21 m
Pictograph	Set
Illuminant	LED
Housing material	Zinc die-cast
Housing color	white
Protection type (IP)	IP40
Impact resistance (IK)	≥ 3
Certification	WEEE, CE
Insulation class	1
Monitoring	SelfControl (SC)
Bridging time	8 h
Battery	LiFePO4 6,4 V/1,2 Ah
Power max.	2,6 W
Power DS	1,7 W
Power BS	0,9 W

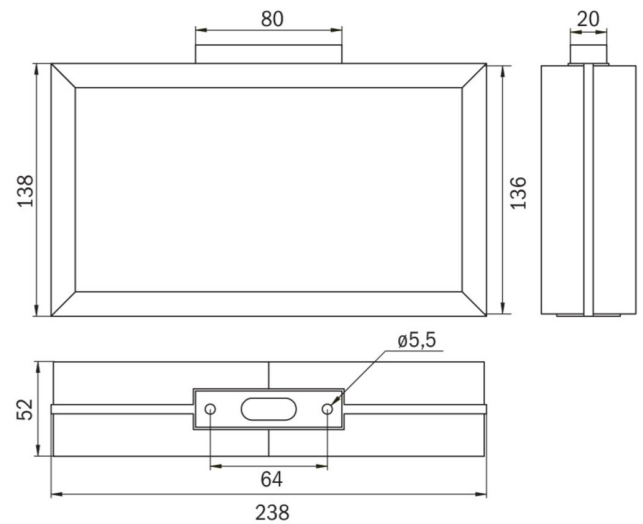


Ambient temperature DS	-5 °C - 40 °C
Ambient temperature BS	-5 °C - 40 °C
Depth	52 mm
Width	236 mm
Height	138 mm
Weight	0.15
Weight incl. packaging	0.15
EAN	4262483022979

TECHNICAL DRAWING



MMD



MMD_IP65

As of: 01.11.2024 - Subject to technical changes and errors.