



**Art.-Nr: LXD418SC**

**Exit sign**

**Recessed mounting, SelfControl (SC), 8 h, 34 m, IP40,  
Aluminium, Anodised aluminium**

Robust emergency exit sign luminaire made from slim aluminium profile, for ceiling mounting. Suited to inscription on one or two sides.

The additional downward light emission helps to illuminate emergency and escape routes.

Automatic monitoring of safety luminaire with SelfControl. The innovative integrated lens holder with a rapid fitting fixture permits the flexible use of various lens types. Using the right lens allows the distribution of light to be matched perfectly to the application and simplifies illumination which satisfies all relevant standards. A round lens and hall lens are supplied with every luminaire, allowing it to be adapted perfectly to the respective mounting situation. Other lenses, such as a spotlight lens, beam lens or H lens, are available as options.



More information

[www.rp-group.com/en/item/LXD418SC](http://www.rp-group.com/en/item/LXD418SC)



**TECHNICAL DATA**

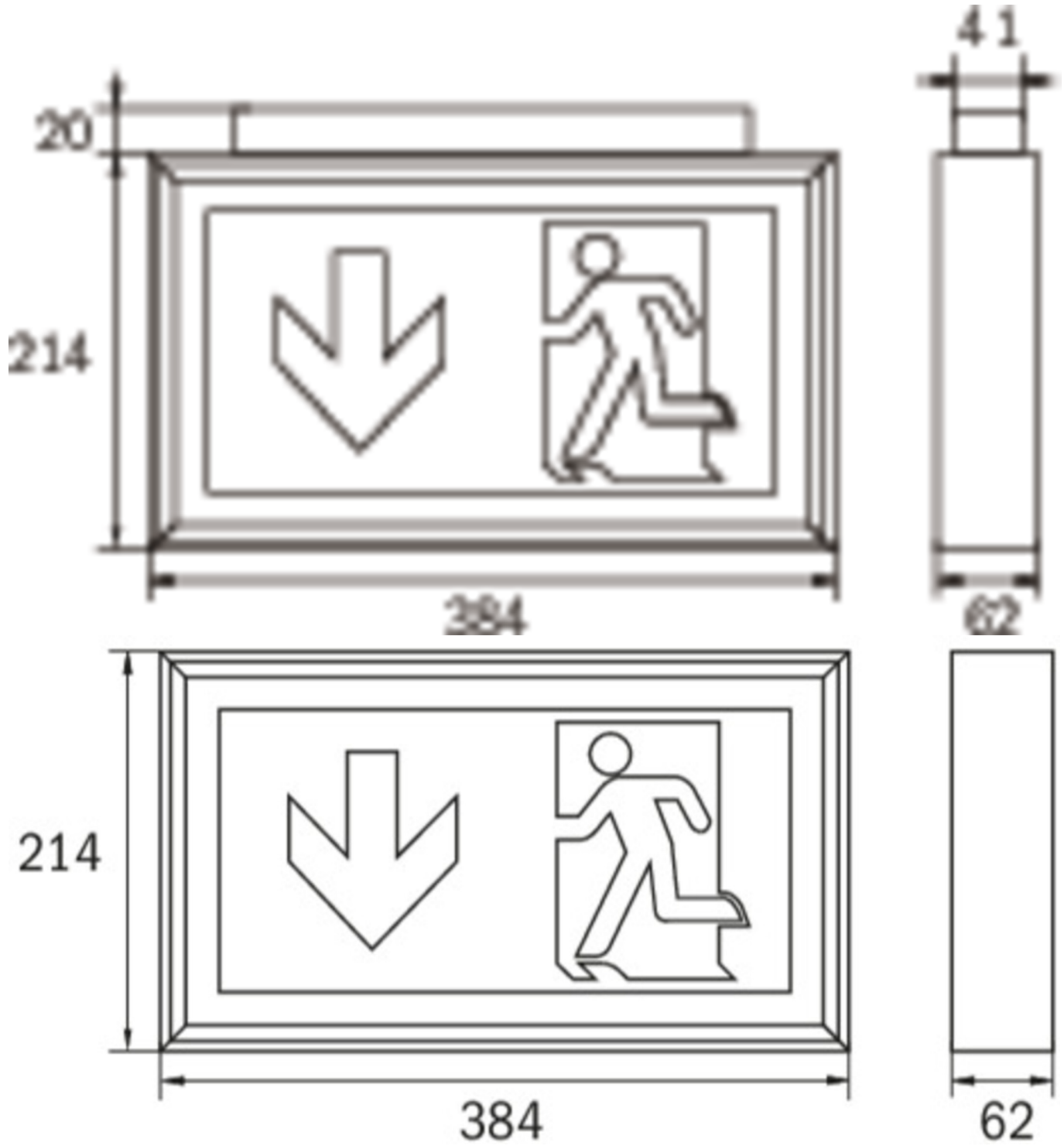
Luminaire type	Exit sign
Mounting	Recessed mounting
Recognition distance	34 m
Pictograph	Set
Illuminant	LED
Housing material	Aluminium
Housing color	Anodised aluminium
Protection type (IP)	IP40
Impact resistance (IK)	3
Certification	WEEE, CE
Insulation class	1
Monitoring	SelfControl (SC)
Bridging time	8 h
Battery	LiFePO4 6,4 V/1,6 Ah
Power max.	2,6 W
Power DS	1,7 W



Power BS	0,9 W
Ambient temperature DS	-5 °C - 40 °C
Ambient temperature BS	-5 °C - 40 °C
Depth	62 mm
Width	384 mm
Height	214 mm
Weight	1.31
Weight incl. packaging	1.51
Luminous flux mains	60 lm
Luminous flux emergency	60 lm
Customs tariff number	94056180
EAN	4262483022955



TECHNICAL DRAWING





## ACCESSORY LIST

DSA - Wire suspension

2PS-EB - Pendant

2DS-EB -

As of: 12.11.2024 - Subject to technical changes and errors.