



Exit sign Art.-No.: KXU018WL

Innovative polycarbonate edge luminaire for universal mounting wall/ceiling/recessed ceiling. Tapered design housing for appealing area perception. Applicable for maintained or nonmaintained operation mode. Improved reliability through easy to install universal use of pictograms. Universal insertion pictogram set (left, right, down, up) included. Signs according to EN 60598-1, EN 60598-2-22 and EN 1838 norms.

- Also available as combined safety light/rescue sign with ERT-LED and clear cover
- Simple pictogram mounting (one and double-sided), plugging-technique



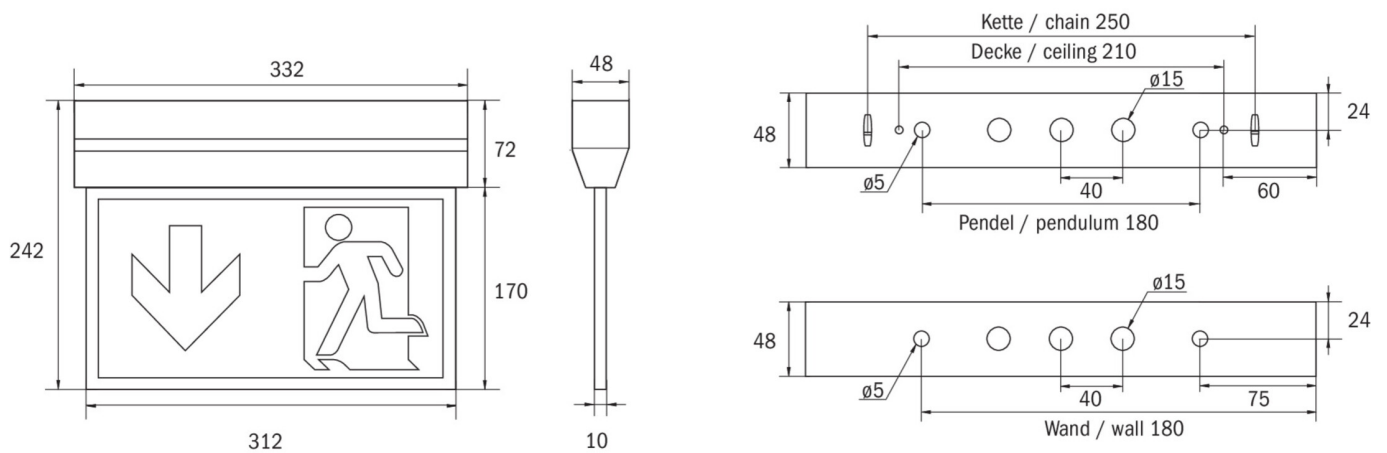
TECHNICAL DATA

Luminaire type	Exit sign
Mounting	Universal
Viewing distance	30 m
Pictograph	Set
Illuminant	LED
Housing material	Polycarbonate
Colour	RAL 9003
Mechanical rating IP	40
Impact resistance IK	≥ 3
Protection class	2
Supply	Single battery
Monitoring	WL - Wireless Professional
Operation time	8 h
Battery	12V/0,8Ah NiMH
Operation mode	maintained/non-maintained mode
Input Voltage AC	230 V
Input Frequency Hz	50 / 60 Hz
Input Voltage DC	- V
Power consumption max.	7,5 W
Power consumption maintained	7,5 W
Power consumption non-maintained	3,6 W
Ambient temperature maintained mode	-5 °C / 35 °C



Ambient temperature non-maintained mode	-5 °C / 40 °C
Length	48 mm
Width	332 mm
Height	242 mm
Weight	1.16 kg
Weight incl. Packaging	1.27 kg
Connection cross-section	2.5 mm
Switching input L'	Yes
Emergency light blocking	No
Battery connector	Clamp
Dimming function	Yes
Luminous flux mains mode	150 lm
Luminous flux emergency mode	60 lm
Customs tariff number	94056120
Coutry of origin	Germany
EAN	4260659562519

TECHNICAL DRAWING





ACCESSORIES

KXE-EB - KX - recessed frame SB incl. test button

AWX001 - Wall bracket, white

DSA - cord suspension set 1,5m

2PW-EB -

2DW-EB -

KXBE - KX concrete box 01+02