



**Art.-Nr: KWIW529CC**  
**Safety luminaire Centralised power supply systems**  
**Universal, CoreCompact 24, CPS, , IP65, Plastic, white**

Classic bar-shaped polycarbonate luminaire for wall or ceiling mounting. Straight lines as well as the robust construction with a high ingress protection allow versatile use.

Pictograms according to DIN EN ISO 7010 and DIN ISO 3864 (left, right, above, below) are included as standard in the scope of delivery.



More information



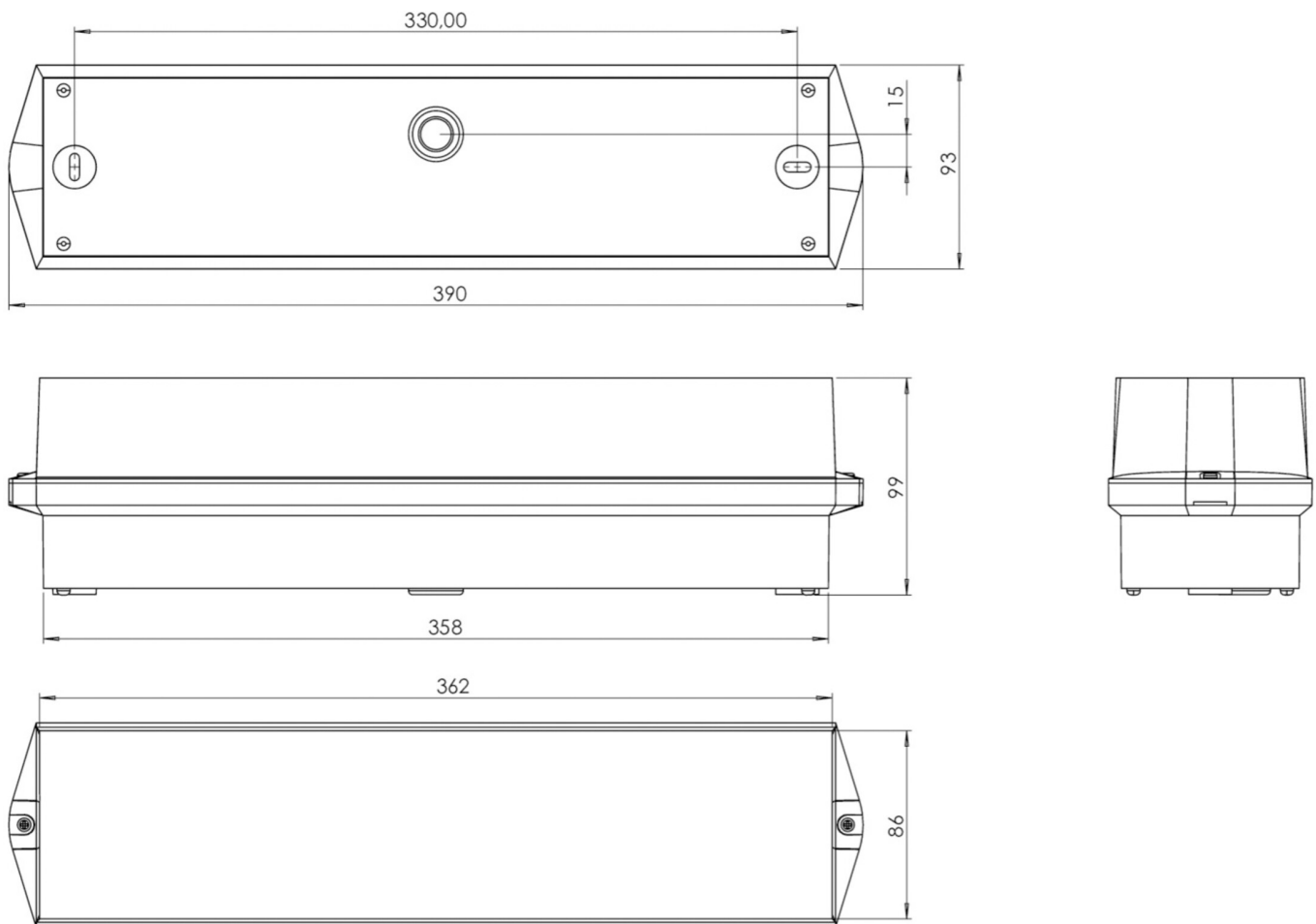
## TECHNICAL DATA

Luminaire type	Safety luminaire
Mounting	Universal
Pictograph	No
Illuminant	LED
Housing material	Plastic
Housing color	white
Protection type (IP)	IP65
Impact resistance (IK)	6
Certification	CE, WEEE, D-Sign
Insulation class	3
Supply	Centralised power supply systems
Monitoring	CoreCompact 24
Bridging time	CPS
Operating mode	Standby circuit / permanent circuit
Input voltageAC	24 V
Power max.	5,1 W
Power DS	5,1 W
Power BS	0,4 W
Ambient temperature DS	-5 °C - 40 °C
Ambient temperature BS	-5 °C - 40 °C
Depth	86 mm
Width	390 mm



Height	99 mm
Weight	0.63
Weight incl. packaging	0.73
Connection cross-section	2.5 mm <sup>2</sup>
Switching input	No
Emergency light blocking	No
Battery connection	No
Luminous flux mains	520 lm
Luminous flux emergency	520 lm
Customs tariff number	94056120
EAN	4260682157485

## TECHNICAL DRAWING





## ACCESSORY LIST

BKW -

## RELATED PRODUCTS

Art-No.	Image	Monitoring	Supply	Color	Investment	Automatic log	Maintenance level	Remote maintenance	max. luminaires	Single luminaire monitoring
KWIW029ML		ML	Central power supply		€€€	Yes	low	Yes	1,920 per system	central
KWIW029ML-OP		ML	Central power supply		€€€	Yes	low	Yes	1,920 per system	central

As of: 22.07.2024 - Subject to technical changes and errors.