



# GROUP

SOLUTIONS IN SAFETY + LIGHTING

[www.rp-group.com](http://www.rp-group.com)

## Art.-Nr: KWIW428SC Safety luminaire Supply Universal, SelfControl (SC), 8 h, , IP65, Plastic, white

Classic, robust, plastic, beam-like safety luminaire with a high level of protection and for versatile use.

Automatic monitoring of safety luminaire with **SelfControl**. The luminaire is fitted with the innovative **flexible plug-in system** for rapid use of the right lens. The hall lens is supplied with every luminaire. A round lens, spotlight lens and beam lens are available as options.



More information

[www.rp-group.com/en/item/  
KWIW428SC](http://www.rp-group.com/en/item/KWIW428SC)

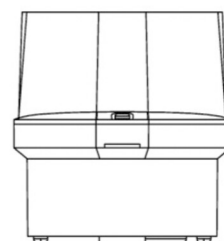
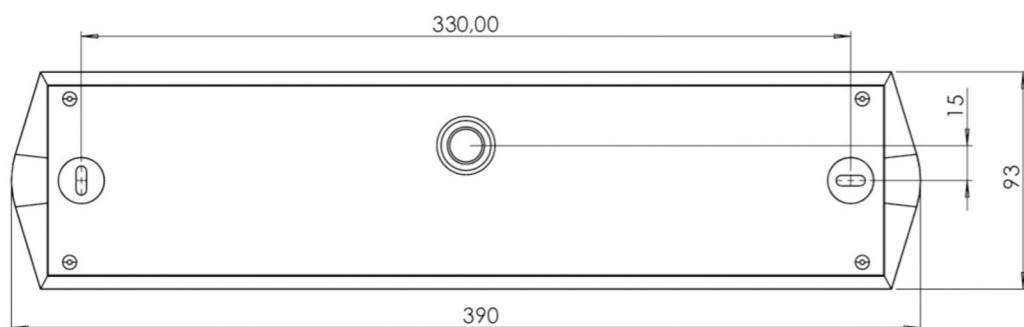


## Technical Data

Luminaire type	Safety luminaire
Mounting	Universal
Pictograph	No
Illuminant	LED
Housing material	Plastic
Housing color	white
Protection type (IP)	IP65
Impact resistance (IK)	6
Certification	CE, WEEE, D-Sign
Insulation class	2
Monitoring	SelfControl (SC)
Bridging time	8 h
Battery	LiFePO4 6,4 V/3,3 Ah
Power max.	5,3 W
Power DS	3,9 W
Power BS	2 W

Ambient temperature DS	-5 °C - 40 °C
Ambient temperature BS	-5 °C - 40 °C
Depth	86 mm
Width	390 mm
Height	99 mm
Weight	0.86
Weight incl. packaging	0.96
Luminous flux mains	210 lm
Luminous flux emergency	210 lm
EAN	4262483022870

## Technical drawing



## Accessory List

BKW -

As of: 06.11.2024 - Subject to technical changes and errors.