



# RP GROUP

SOLUTIONS IN SAFETY + LIGHTING

[www.rp-group.com](http://www.rp-group.com)

## Art.-Nr: KWIW423SC-COOLIP54

### Safety luminaire Supply

### Universal, SelfControl (SC), 3 h, , IP65, Plastic, white

Classic, robust, plastic, beam-like safety luminaire with a high level of protection and for versatile use.

Automatic monitoring of safety luminaire with **SelfControl**. The luminaire is fitted with the innovative **flexible plug-in system** for rapid use of the right lens. The hall lens is supplied with every luminaire. A round lens, spotlight lens and beam lens are available as options.



More information

[www.rp-group.com/en/item/KWIW423SC-COOLIP54](http://www.rp-group.com/en/item/KWIW423SC-COOLIP54)

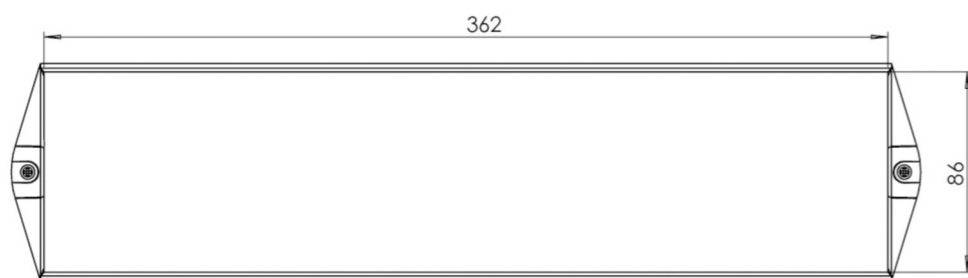
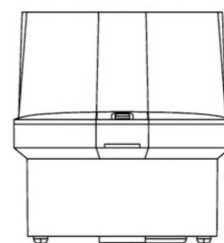
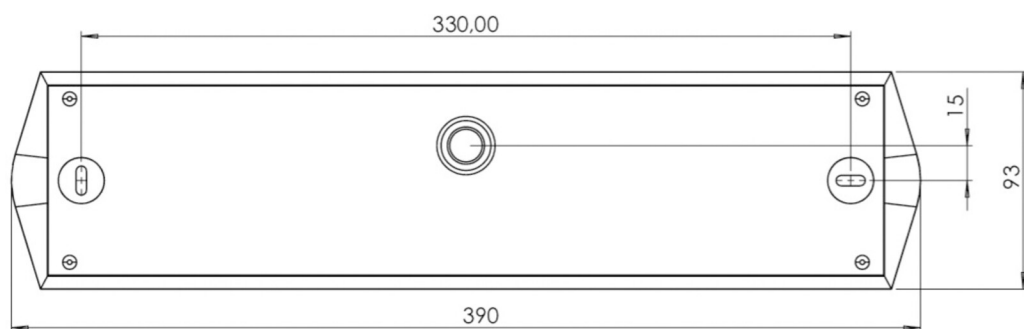


## Technical Data

Luminaire type	Safety luminaire
Mounting	Universal
Pictograph	No
Illuminant	LED
Housing material	Plastic
Housing color	white
Protection type (IP)	IP65
Impact resistance (IK)	6
Certification	CE, WEEE, D-Sign
Insulation class	2
Monitoring	SelfControl (SC)
Bridging time	3 h
Battery	LiFePO4 6,4 V/3,3 Ah
Power max.	8,2 W
Power DS	7 W
Power BS	2 W

Ambient temperature DS	-25 °C - 40 °C
Ambient temperature BS	-25 °C - 40 °C
Depth	86 mm
Width	390 mm
Height	99 mm
Weight	0.86
Weight incl. packaging	0.96
Luminous flux mains	520 lm
Luminous flux emergency	520 lm
Customs tariff number	94056120
EAN	4262483025505

## Technical drawing



## Accessory List

BKW -

As of: 06.11.2024 - Subject to technical changes and errors.