



Art.-Nr: KWIW418SC
Exit sign, Safety luminaire
Wall mounting, SelfControl (SC), 8 h, 16 m, IP65, Plastic,
white

Classic, robust, plastic, beam-like emergency exit sign luminaire with a high level of protection and self-adhesive pictogram for versatile use.

Intended for wall mounting when used as an emergency exit sign luminaire. Without the use of pictograms, it can be used as a safety luminaire, preferably for ceiling mounting.

Automatic monitoring of safety luminaire with SelfControl. The innovative integrated lens holder with a rapid fitting fixture permits the flexible use of various lens types. Using the right lens allows the distribution of light to be matched perfectly to the application and simplifies illumination which satisfies all relevant standards. A round lens and hall lens are supplied with every luminaire, allowing it to be adapted perfectly to the respective mounting situation. Other lenses, such as a spotlight lens, beam lens or H lens, are available as options.



More information
www.rf-group.com/en/item/KWIW418SC



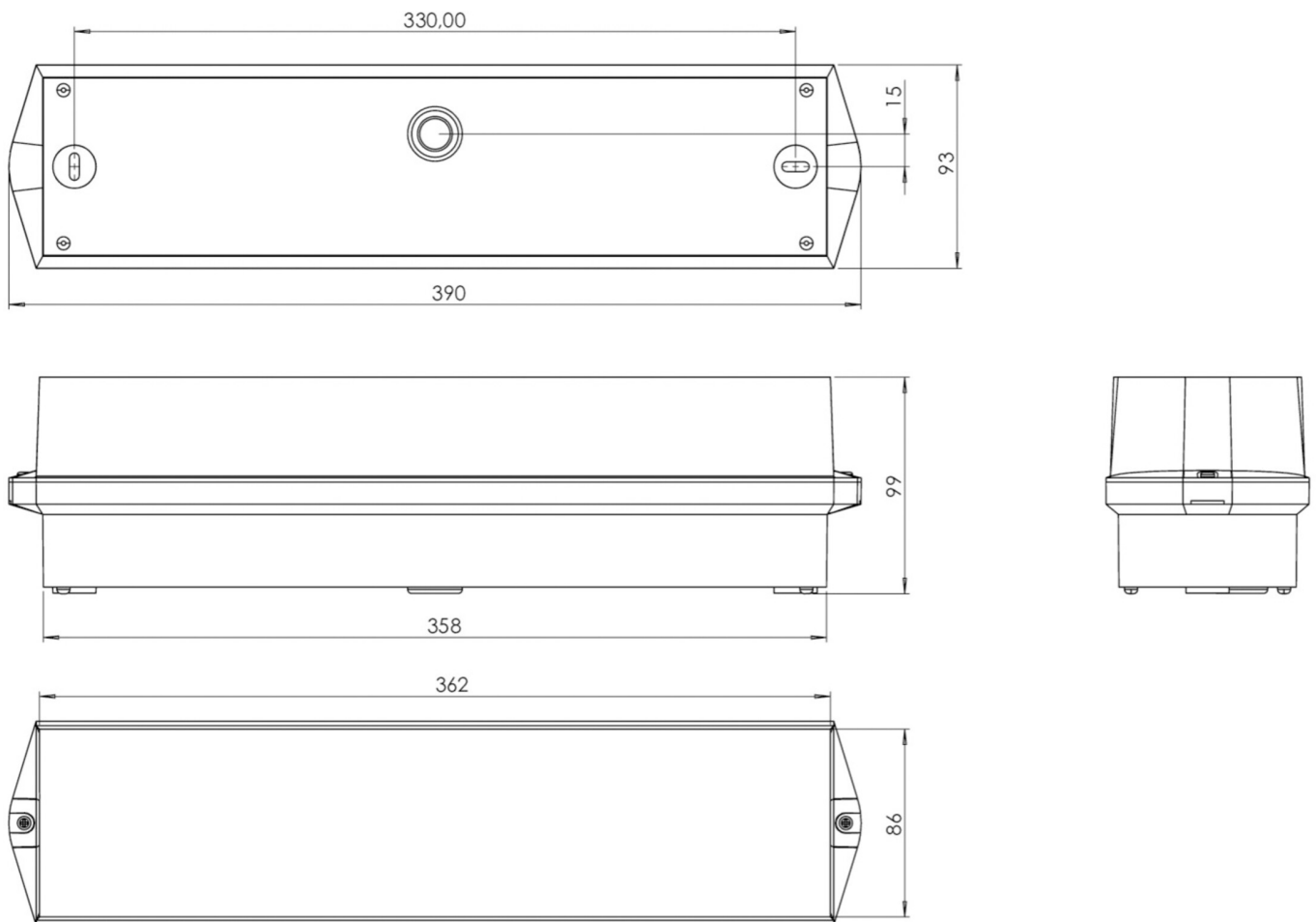
TECHNICAL DATA

| | |
|------------------------|-----------------------------|
| Luminaire type | Exit sign, Safety luminaire |
| Mounting | Wall mounting |
| Recognition distance | 16 m |
| Pictograph | Set |
| Illuminant | LED |
| Housing material | Plastic |
| Housing color | white |
| Protection type (IP) | IP65 |
| Impact resistance (IK) | 6 |
| Certification | CE, WEEE, D-Sign |
| Insulation class | 2 |
| Monitoring | SelfControl (SC) |
| Bridging time | 8 h |
| Battery | LiFePO4 6,4 V/1,6 Ah |
| Power max. | 2,6 W |



| | |
|-------------------------|---------------|
| Power DS | 1,7 W |
| Power BS | 0,9 W |
| Ambient temperature DS | -5 °C - 35 °C |
| Ambient temperature BS | -5 °C - 35 °C |
| Depth | 86 mm |
| Width | 390 mm |
| Height | 99 mm |
| Weight | 0.7 |
| Weight incl. packaging | 0.8 |
| Luminous flux mains | 60 lm |
| Luminous flux emergency | 60 lm |
| EAN | 4262483022849 |

TECHNICAL DRAWING





ACCESSORY LIST

BKW -

As of: 31.10.2024 - Subject to technical changes and errors.