



Art.-Nr: KWIW413SC-TT
Exit sign, Safety luminaire Supply
Wall, SelfControl (SC), 3 h, 16 m, IP65, Plastic, white

Classic, robust, plastic, beam-like emergency exit sign luminaire with a high level of protection and self-adhesive pictogram for versatile use.

Intended for wall mounting when used as an emergency exit sign luminaire. Without the use of pictograms, it can be used as a safety luminaire, preferably for ceiling mounting.

Automatic monitoring of safety luminaire with SelfControl. The innovative integrated lens holder with a rapid fitting fixture permits the flexible use of various lens types. Using the right lens allows the distribution of light to be matched perfectly to the application and simplifies illumination which satisfies all relevant standards. A round lens and hall lens are supplied with every luminaire, allowing it to be adapted perfectly to the respective mounting situation. Other lenses, such as a spotlight lens, beam lens or H lens, are available as options.



More information

www.rp-group.com/en/item/KWIW413SC-TT



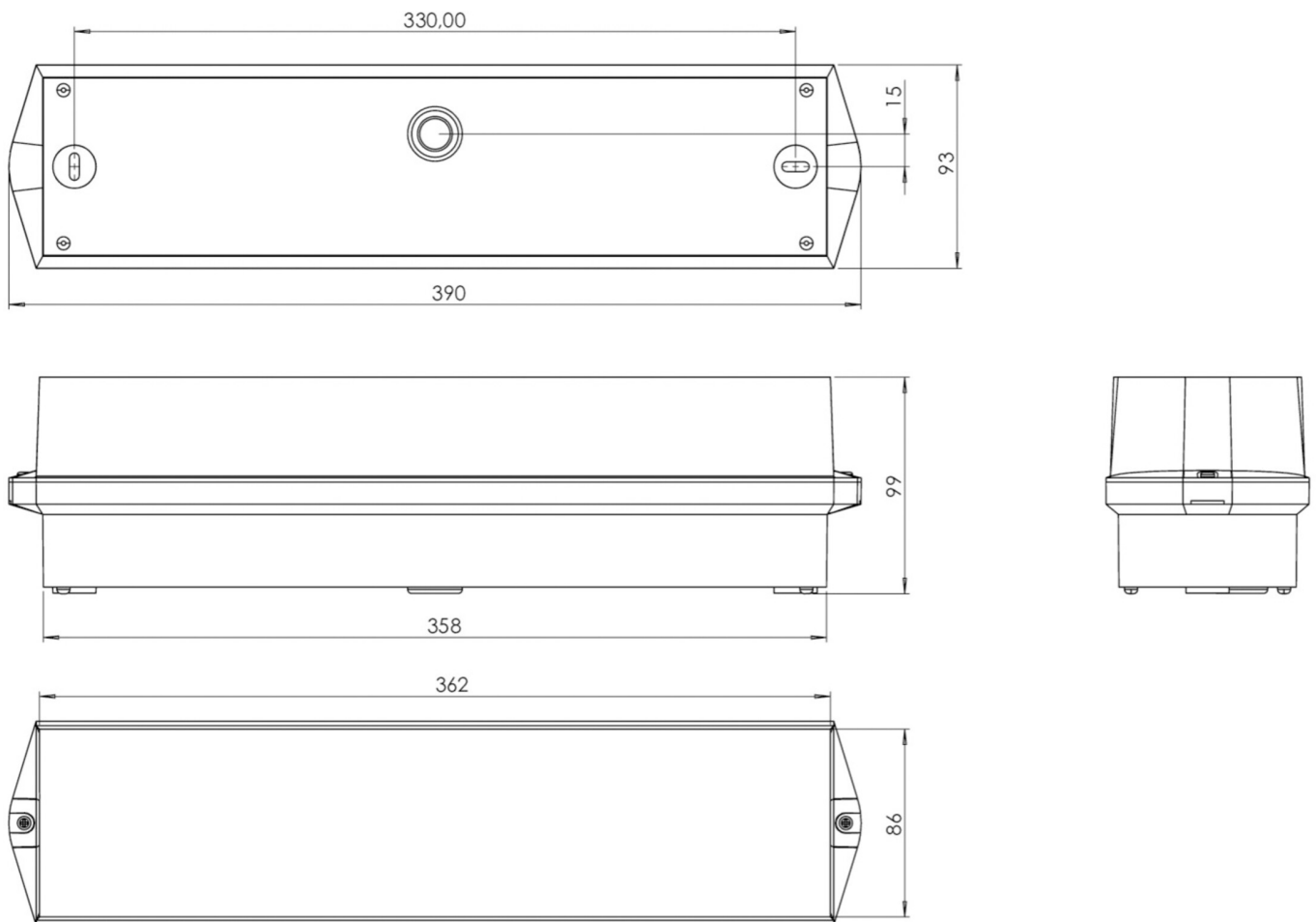
TECHNICAL DATA

Luminaire type	Exit sign, Safety luminaire
Mounting	Wall
Recognition distance	16 m
Pictograph	Set
Illuminant	LED
Housing material	Plastic
Housing color	white
Protection type (IP)	IP65
Impact resistance (IK)	6
Certification	CE, WEEE, D-Sign
Insulation class	2
Monitoring	SelfControl (SC)
Bridging time	3 h
Battery	/
Power max.	5,9 W
Power DS	4,6 W



Power BS	0,7 W
Ambient temperature DS	-15 °C - 35 °C
Ambient temperature BS	-15 °C - 35 °C
Depth	86 mm
Width	390 mm
Height	99 mm
Weight	0.67
Weight incl. packaging	0.77
Luminous flux mains	320 lm
Luminous flux emergency	320 lm
EAN	4260766558207

TECHNICAL DRAWING





ACCESSORY LIST

BKW -

As of: 02.10.2024 - Subject to technical changes and errors.