



Art.-Nr: KWIW039ML-OP
Safety luminaire Centralised power supply systems
Universal, ML, CPS, , IP65, Plastic, white

Classic bar-shaped polycarbonate luminaire for wall or ceiling mounting. Straight lines as well as the robust construction with a high ingress protection allow versatile use.

Pictograms according to DIN EN ISO 7010 and DIN ISO 3864 (left, right, above, below) are included as standard in the scope of delivery.



More information



TECHNICAL DATA

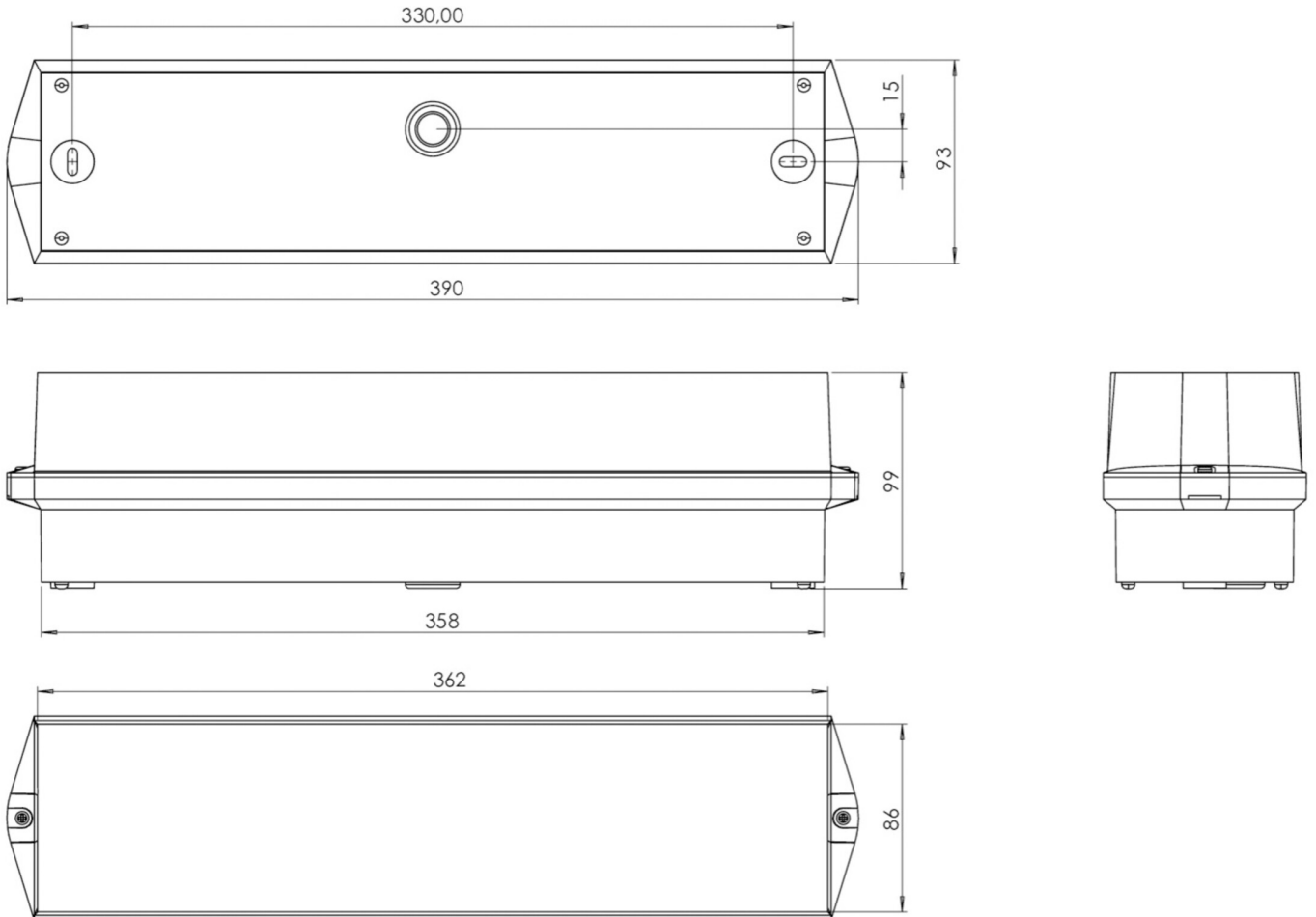
Luminaire type	Safety luminaire
Mounting	Universal
Pictograph	No
Illuminant	LED
Housing material	Plastic
Housing color	white
Protection type (IP)	IP65
Impact resistance (IK)	6
Certification	CE, WEEE, D-Sign
Insulation class	2
Supply	Centralised power supply systems
Monitoring	ML
Bridging time	CPS
Operating mode	single luminaire switching
Input voltage AC	230 V
Input frequency	50 / 60 Hz
Input voltage DC	216 V
Power max.	9,4 W
Power DS	9,4 W
Power BS	1,1 W
Ambient temperature DS	-5 °C - 40 °C
Ambient temperature BS	-5 °C - 40 °C



Depth	86 mm
Width	390 mm
Height	99 mm
Weight	0.67
Weight incl. packaging	0.77
Connection cross-section	2.5 mm ²
Switching input	Yes
Emergency light blocking	No
Battery connection	No
Dimming function	Yes
Luminous flux mains	1050 lm
Luminous flux emergency	1050 lm
Customs tariff number	94056120
EAN	4260682149343



TECHNICAL DRAWING



ACCESSORY LIST

BKW -

KWIE -



RELATED PRODUCTS

Art.-No.	Image	Monitoring	Supply	Color	Investment	Automatic log	Maintenance level	Remote maintenance	max. luminaires	Single luminaire monitoring
KWIW039ML		ML	Central power supply		€€€	Yes	low	Yes	1,920 per system	central
KWIW039ML-TA50		ML	Central power supply		€€€	Yes	low	Yes	1,920 per system	central

As of: 16.07.2024 - Subject to technical changes and errors.