



**Art.-Nr: KWID418SC**  
**Exit sign Single Battery**  
**Recessed mounting, SelfControl (SC), 8 h, 16 m, IP65, Plastic, white**

Classic, robust, plastic, beam-like emergency exit sign luminaire with a high level of protection and self-adhesive pictogram for versatile use.

Intended for ceiling mounting when used as an emergency exit sign luminaire. Without the use of pictograms, it can be used as a safety luminaire, preferably for ceiling mounting.

Automatic monitoring of safety luminaire with SelfControl. Planning certainty is provided by tool-free, variable use of the pictograms on site. A set of pictograms corresponding to DIN ISO 7010 (arrow to the right, left, up and down) is supplied as standard.



More information

[www.rp-group.com/en/item/KWID418SC](http://www.rp-group.com/en/item/KWID418SC)



## TECHNICAL DATA

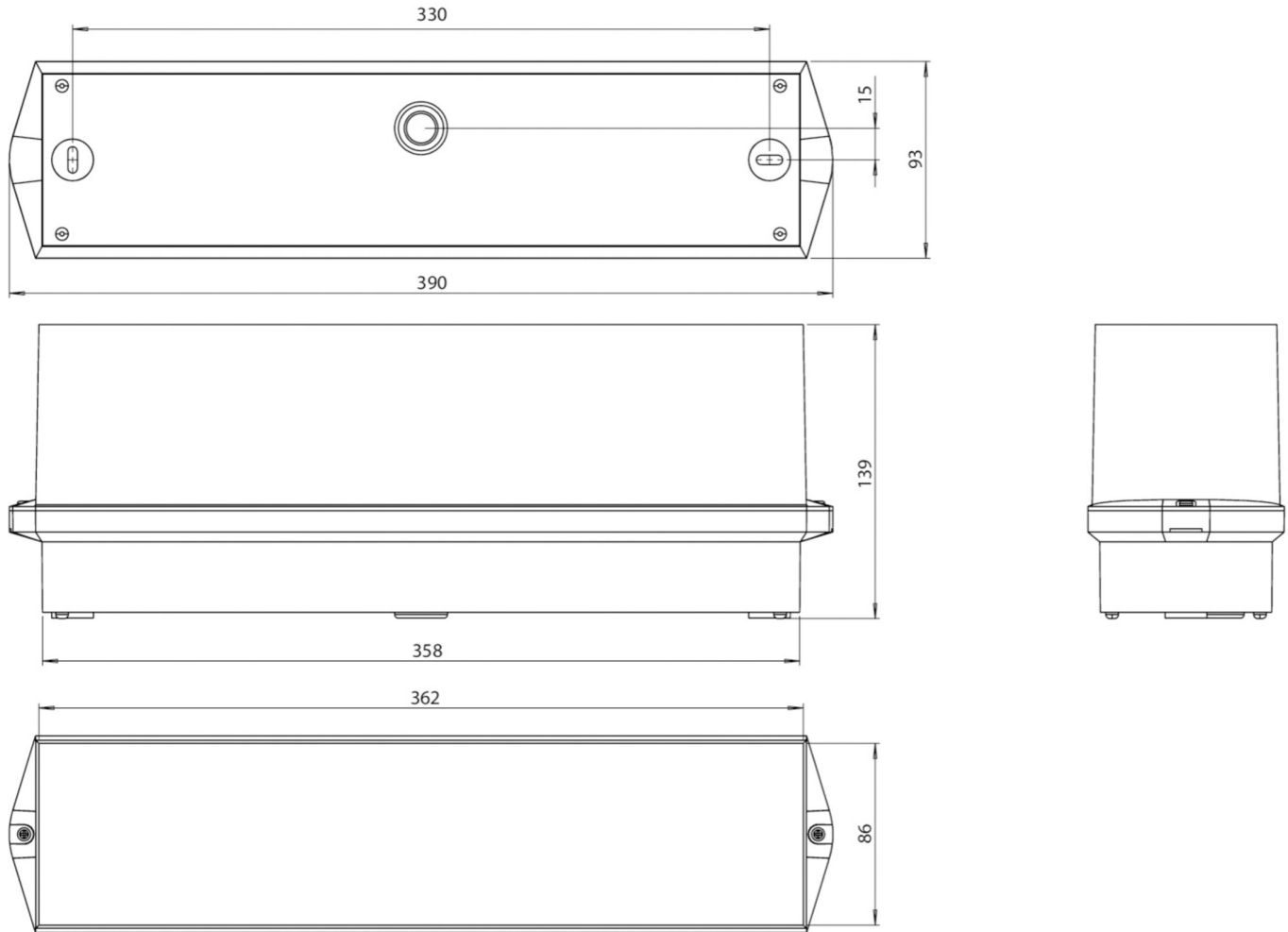
Luminaire type	Exit sign
Mounting	Recessed mounting
Recognition distance	16 m
Pictograph	Set
Illuminant	LED
Housing material	Plastic
Housing color	white
Protection type (IP)	IP65
Impact resistance (IK)	6
Certification	WEEE, CE, 5 years warranty
Insulation class	2
Supply	Single Battery
Monitoring	SelfControl (SC)
Bridging time	8 h
Battery	LiFePO4 6,4 V/
Operating mode	Standby circuit / permanent circuit
Input voltageAC	180 V - 250 V



Input frequency	50 Hz
Power max.	2,6 W
Power maintained	1,7 W
Power non-maintained	0,9 W
Ambient temperature maintained mode	-5 °C to 40 °C
Ambient temperature non-maintained mode	-5 °C to 40 °C
Depth	93 mm
Width	390 mm
Height	139 mm
Weight	0.87
Weight incl. packaging	0.97
Connection cross-section	2,5 mm <sup>2</sup>
Switching input	Yes
Emergency light blocking	No
Battery connection	Connector
Dimming function	No
Luminous flux mains	60 lm
Luminous flux emergency	60 lm
Customs tariff number	94056120
EAN	4262483022788



## TECHNICAL DRAWING



## ACCESSORY LIST

BKW -

As of: 11.02.2025 - Subject to technical changes and errors.